

## MPM430 Lower Pressure Transmitter

### Features

- Full stainless steel construction; compact size; protection IP65;
- Ceramic, stainless steel and Viton contact with media; good corrosive resistance;
- Cavity and non-cavity constructions are optional; wider diaphragm contacting with media to measure large granule or viscous flow media; not easy to jam, and easy cleaning;
- Max. overpressure 10 times, high pressure impact resistivity;
- Explosion-proof product conforms to Standard GB3836.1 and GB3836.4; Ex-proof Certificate is issued, Ex-proof sign: Exia CT6.



### Introduction

MPM430 lower pressure transmitter is produced especially to measure very lower pressure. It uses high-performance pressure sensor and integrated stainless steel full-welded construction, compact size, good overpressure and corrosive resistance, good reliability and reliable performance, the transmitter could be used for lower pressure measure and control of petroleum, chemical industry, power station, mine, city water supply and drainage and hydrology, etc.

### Specification

Range code and pressure range

Range code	0D	0C	0B
Sensor range	0 ~ 5kPa	0 ~ 10kPa	0 ~ 20kPa
Measure range	-2.5...-0.5 ~ 0.5...5kPa	-10...-1 ~ 1...10kPa	0 ~ 2...20kPa
Upper limit	5kPa	10kPa	20kPa
overpressure	400kPa	400kPa	600kPa

Power supply: 12 ~ 28VDC

Output signal: 4 ~ 20mA DC 2-wire

Load:  $R_L \leq ((U - 12V) / 20mA) - R_w$  (kΩ), U is power supply voltage,  $R_w$  is wire resistance

Accuracy: 0.5%FS (min.)      1.0%FS (typ.)

Thermal error:  $\leq \pm 0.15\%FS/10$       ( -20 ~ +70 )

$\leq \pm 0.2\%FS/10$       ( -30 ~ -20 )

Long-term stability:  $\leq 0.5\%FS/year$

<http://www.microsensor.cn>

Add: No.18, Yingda Road Baoji, P.R.China, 721006

Tel: +86 917 3600739/3600832      Fax : 3600755

**MICRO SENSOR CO.,LTD.**

Shock:  $\leq \pm 0.01\%FS$  ( X, Y, Z axes, 200Hz/g )

Environment temp.: -30 ~ +70

Media temp. : -30 ~ +80

Storage temp.: -30 ~ +85

Protection: IP65( Code general type, Code non-cavity type ) IP68( Code non-cavity cable connection type )

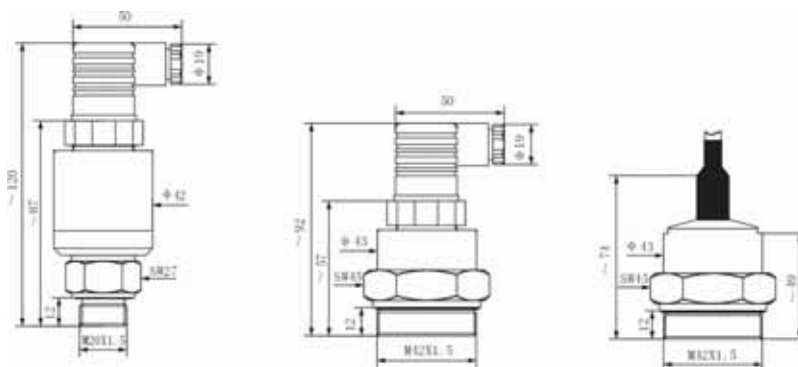
Pressure port and housing: stainless steel 1Cr18Ni9Ti

Sensor diaphragm: 96% alumina ceramic

Sealing parts: Viton

## Outline Construction

( Unit: mm )



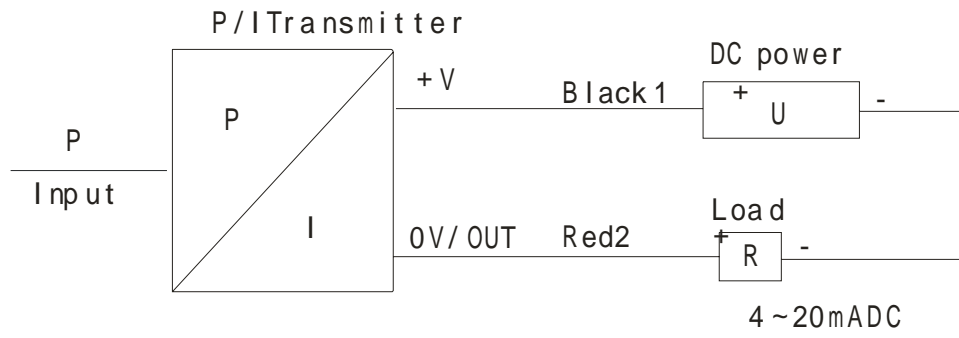
Code General Type

Code No-cavity Plug Connection

Code NO-cavity Cable Connection

## Electric Connection

Wiring	Plug connection	Cable connection
( +V )	Pin 1	Black wire
( 0V/OUT )	Pin 2	Red wire



## Order Guide

MPM430	Lower Pressure Transmitter		
	Range	Measurement range Pa or kPa, X=actual pressure range; L=cable length for cable connection type transmitter, unit: m	
	[0 ~ X]L	Code	Pressure range
		0D	-2.5...-0.5 ~ 0.5...5kPa
		0C	-10...-1 ~ 1...10kPa
		0B	0 ~ 2...20kPa
		Code	Output signal
		E	4 ~ 20mADC
		Code	Others
			General type ( M20×1.5 male )
			Non-cavity plug connection ( M42×1.5 male )
			Non-cavity cable connection ( M42×1.5 male )
		Code	Others
		G	Gague
		A	Absolute
		N	Available to measure vacuum
MPM430	[-2 ~ 10]kPa	E	GN the whole spec

## Order Note

1. Please note needed accuracy in the order; the default is 1.0%FS;
2. If the user needs pressure type Absolute, the min. range is [0 ~ 3] kPa, no N option could be provided; if the user need Gauge pressure type, as well as vacuum measurement, please select both G and N. the min. range is -0.5kPa~0.5kPa.
3. If the user has special requirement, please feel free to contact our company.

<http://www.microsensor.cn>

Add: No.18, Yingda Road Baoji, P.R.China, 721006

Tel: +86 917 3600739/3600832 Fax : 3600755

**MICRO SENSOR CO.,LTD.**