

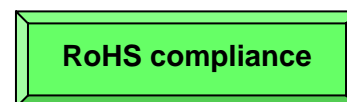
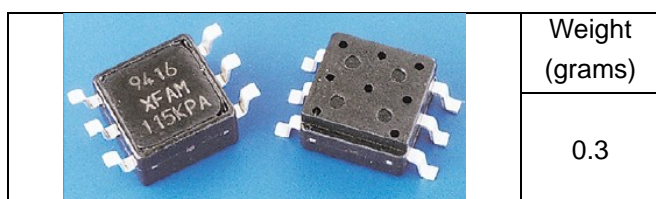
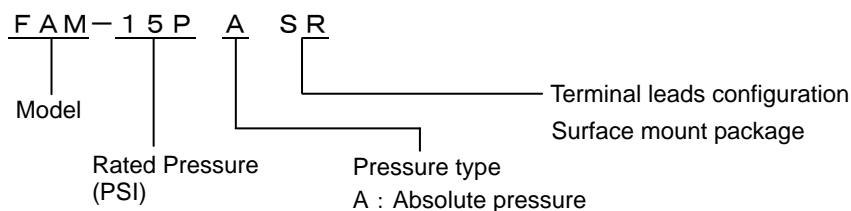
■ Features

Barometric pressure measurable
Surface mount package

■ Applications

- Industrial instrumentation
- Medical device
- Barometer, Altimeter
- Altitude compensation

■ Part number for ordering



| Measurable pressure range(kPa·abs) | Part number for ordering |
|------------------------------------|--------------------------|
| 34.66~168.0 | FAM-15PASR |

■ Specifications

| Model | FAM-15PASR | Unit |
|--|--------------------------------------|----------------|
| Recommended operating conditions | | |
| Pressure type | Absolute pressure | — |
| Rated pressure | 168.0 | kPa·abs |
| Measurable pressure range | 34.66~168.0 | kPa·abs |
| Temperature range | 0~50 | °C |
| Pressure media | Non-corrosive gases only (No liquid) | — |
| Excitation current (Constant) | 1.5 | mADC |
| Absolute maximum rating | | |
| Maximum load pressure | Twice of rated pressure | — |
| Maximum excitation current | 3.0 | mADC |
| Operating temperature | -20~100 | °C |
| Storage temperature | -40~120 | °C |
| Operating humidity | 30~80 (Non dew condition) | %RH |
| Electric characteristics (Drive Current 1.5mA constant , ambient temperature Ta=25°C) | | |
| Output span voltage | 80~160 (at 34.66~168.0kPa·abs) | mV |
| Offset voltage | 50~130 (at 101.3 kPa·abs) | mV |
| Bridge resistance | 4000~6000 | Ω |
| Response time | 2 (for the reference) | msec |
| Accuracy | TSO* | ±3 %FS/0~50°C |
| | TCS* | 2.5 %FS/0~50°C |
| | Linearity | ±0.3 %FS |
| | Pressure hysteresis | ±0.2 %FS |

*TSO: Temperature sensitivity of offset voltage

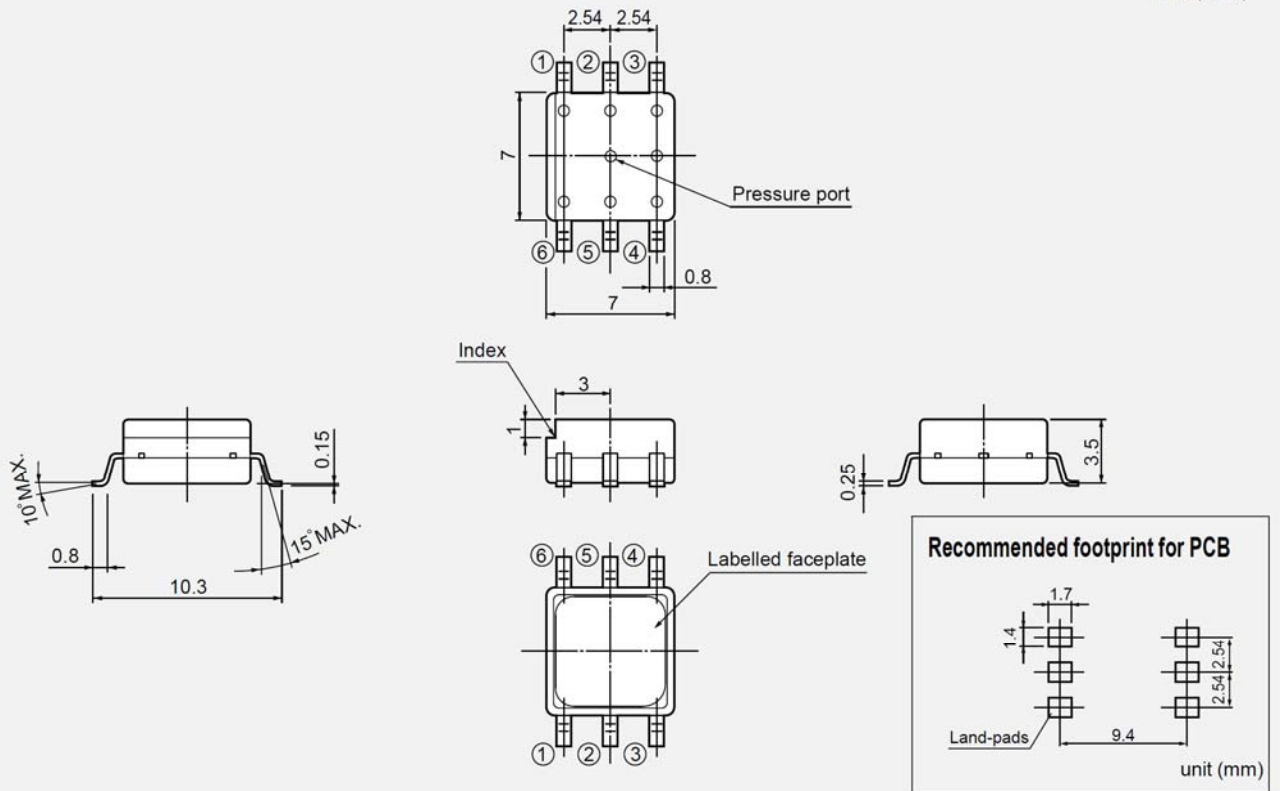
*TCS: Temperature coefficient of output span voltage

*Temperature range from 0-50 deg C

■ Outline dimensions ■

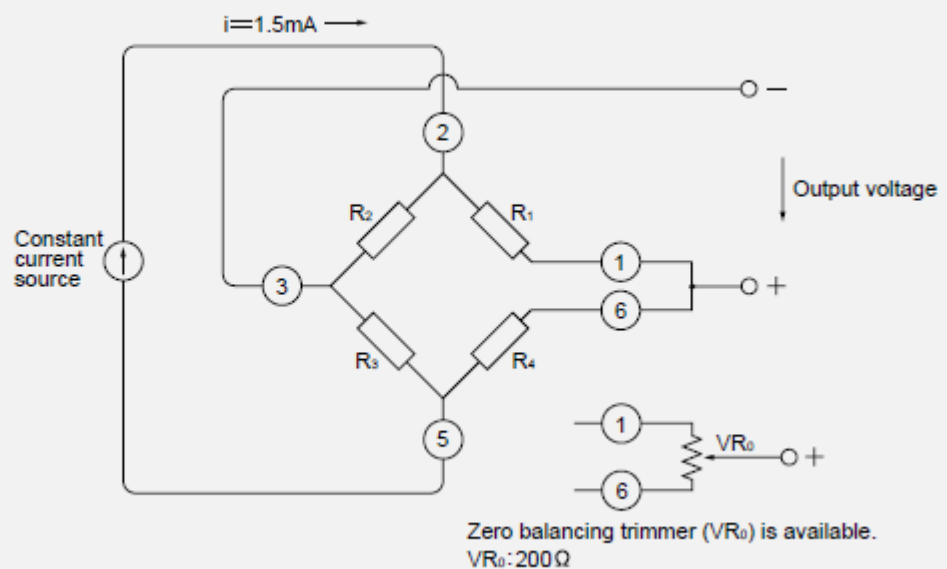
FAM

Unit (mm)

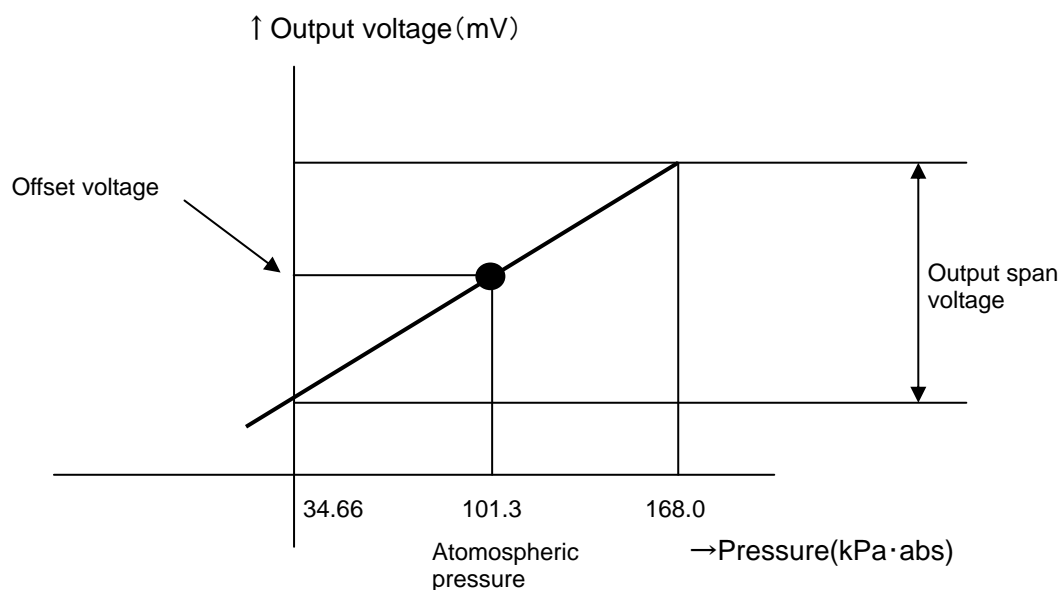


■ Connection diagram ■

FAM



■ Output characteristics ■



Note ; Please read instruction "Notes" before using the sensor.
Fujikura reserves the right to change specifications without notice.

If you have any questions regarding technical issues or specifications, please contact us.
Sensor Engineering Department 5-1 Kiba 1-chome, Koto-ku, Tokyo 135-8512, Japan
Phone +81-(0)3-5606-1072
E-mail : sensor@fujikura.co.jp