

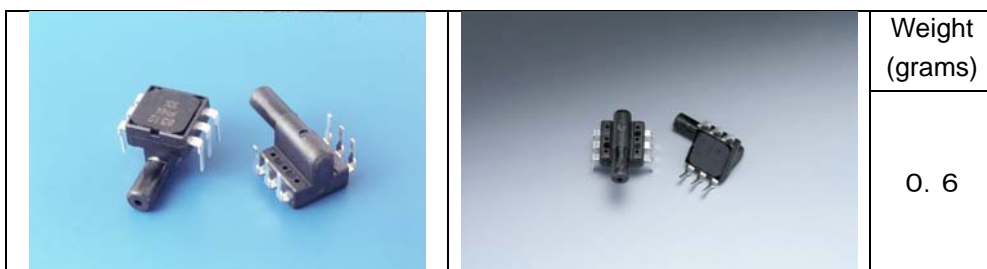
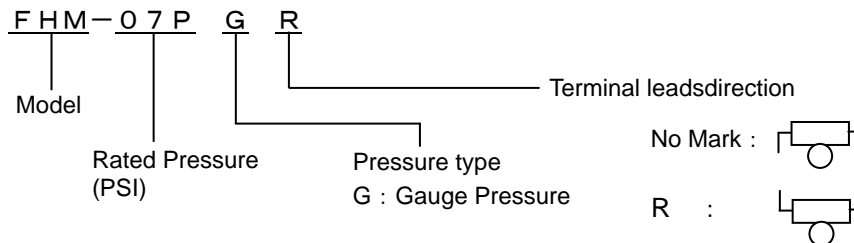
■ Features

Horizontal pressure port

■ Applications

- Industrial instrumentation
- Pressure switch, Pneumatic device
- Medical device

■ Part number for ordering



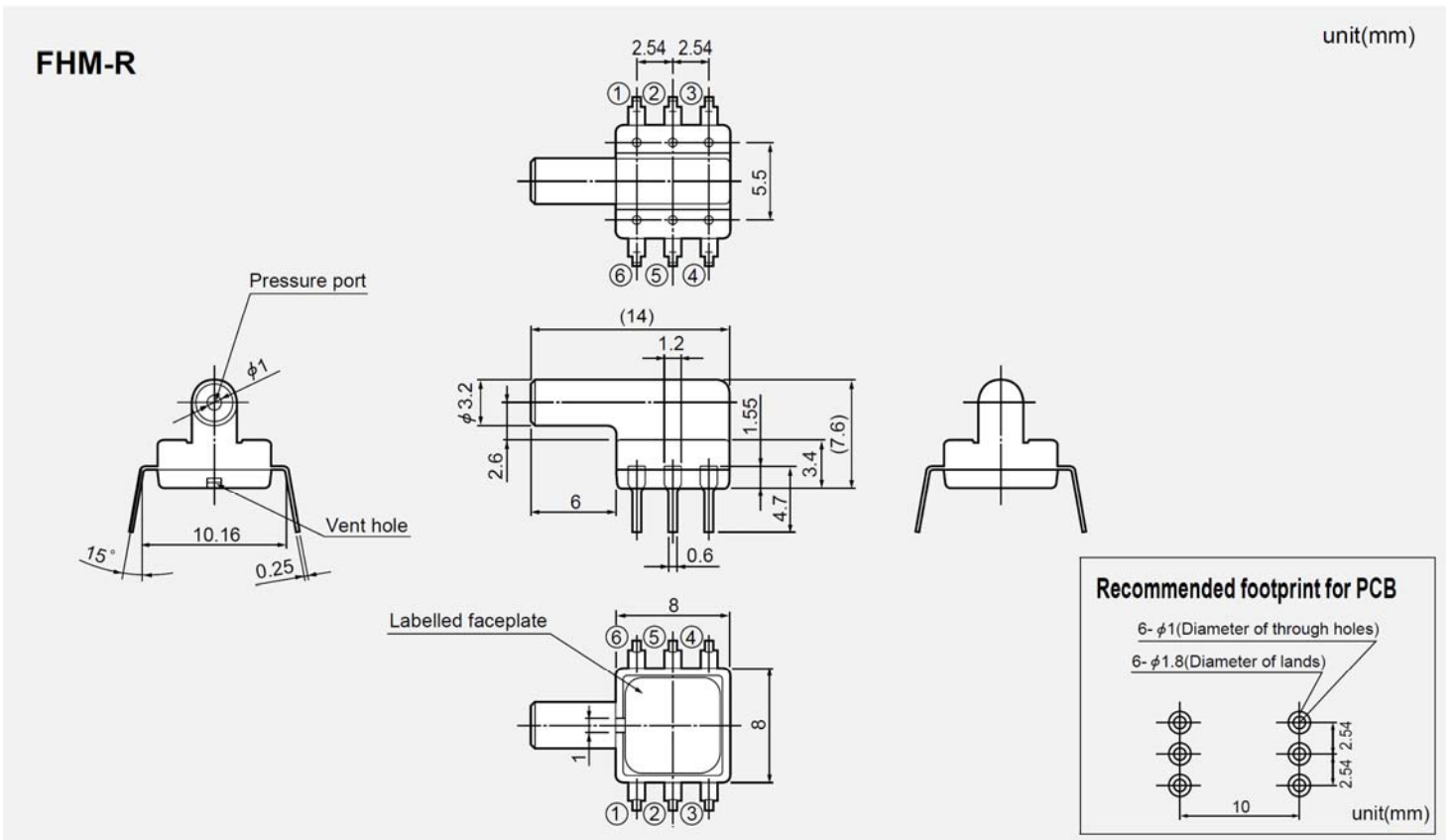
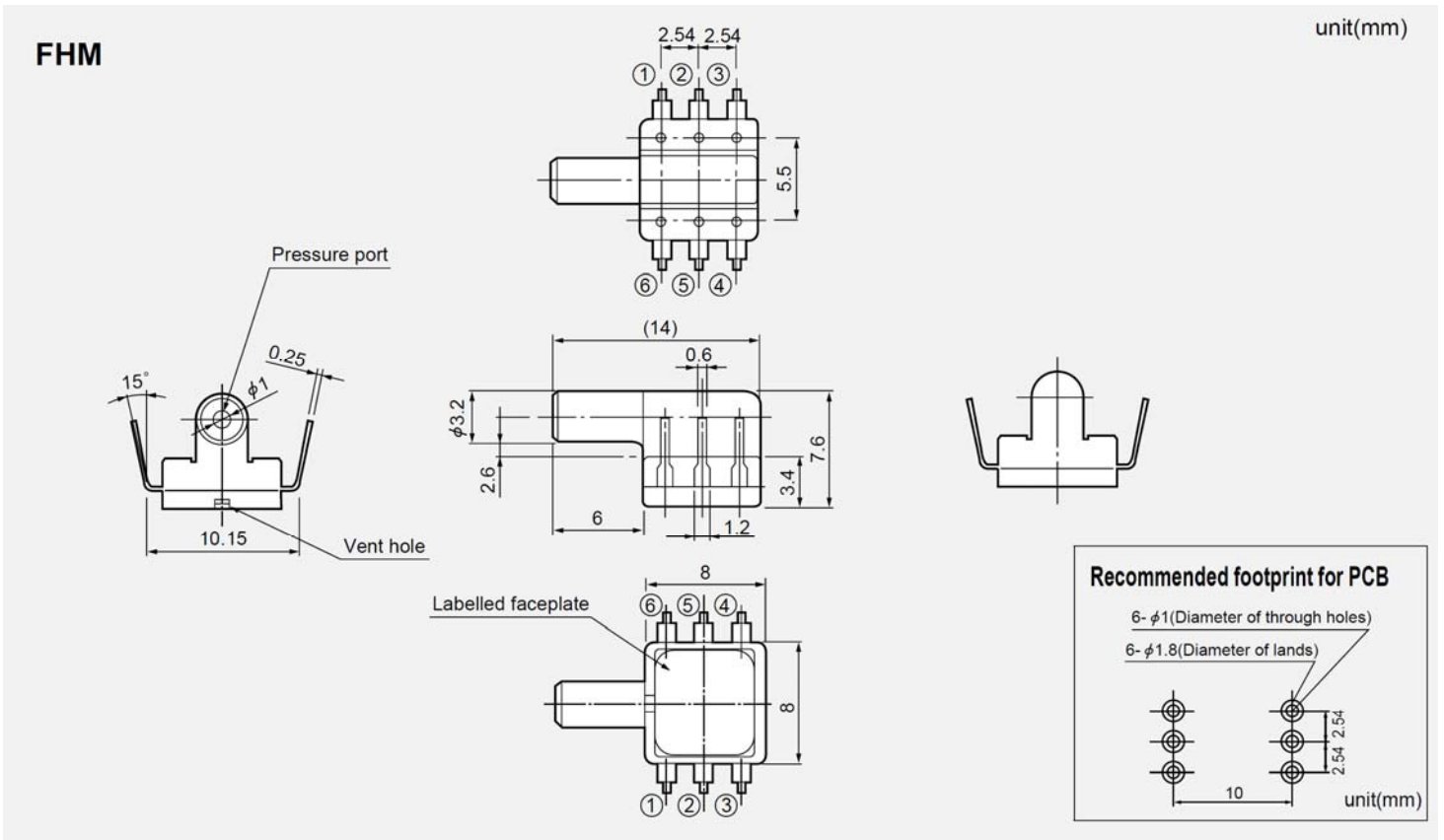
Measurable pressure range(kPa)	Part number for ordering	
-13.79~13.79	FHM-02PG	FHM-02PGR
-34.47~34.47	FHM-05PG	FHM-05PGR
-48.26~48.26	FHM-07PG	FHM-07PGR
-98.07~103.4	FHM-15PG	FHM-15PGR
-98.07~206.8	FHM-30PG	FHM-30PGR
-98.07~344.7	FHM-50PG	FHM-50PGR
-98.07~482.6	FHM-70PG	FHM-70PGR
-98.07~827.4	FHM-120PG	FHM-120PGR

■ Specifications

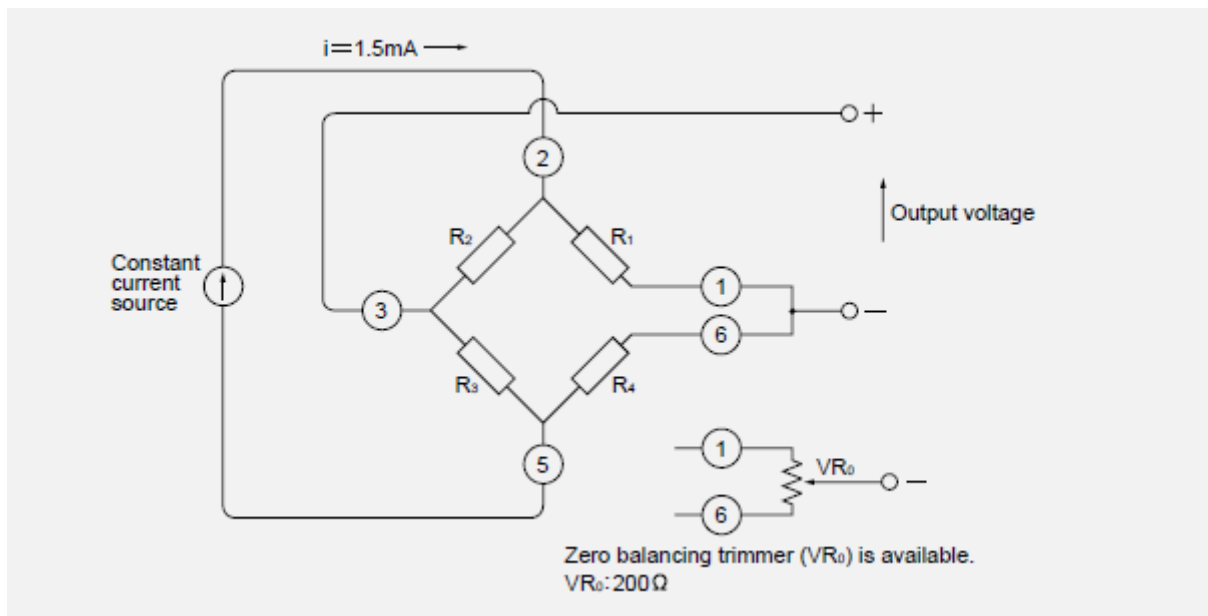
Model	02PG	05PG	07PG	15PG	30PG	50PG	70PG	120PG	Unit
<b>Recommended operating conditions</b>									
Pressure type	Gauge pressure								—
Rated pressure	13.79	34.47	48.26	103.4	206.8	344.7	482.6	827.4	kPa
Measurable pressure range	-13.79 ~13.79	-34.47 ~34.47	-48.26 ~48.26	-98.07 ~103.4	-98.07 ~206.8	-98.07 ~344.7	-98.07 ~482.6	-98.07 ~827.4	kPa
Temperature range	0~50								°C
Pressure media	Non-corrosive gases only (No liquid)								—
Excitation current (Constant)	1.5								mADC
<b>Absolute maximum rating</b>									
Maximum load pressure	Twice of rated pressure							1.5 times of rating pressure	—
Maximum excitation current	3.0								mADC
Operating temperature	-20~100								°C
Storage temperature	-40~120								°C
Operating humidity	30~80 (Non dew condition)								%RH
<b>Electric characteristics (Drive Current 1.5mA constant, ambient temperature Ta=25°C)</b>									
Output span voltage	60~140 (at 0kPa~rated pressure)								mV
Offset voltage	±20 (at 0kPa)								mV
Bridge resistance	4000~6000								Ω
Response time	2 (for the reference)								msec
Accuracy	TSO*		±5					%FS/0~50°C	
	TCS*		2.5						
	Linearity	±0.5	±0.3			±0.5	±0.6		%FS
	Pressure hysteresis	±0.4	±0.2			±0.4			%FS

\*TSO: Temperature sensitivity of offset voltage  
 \*TCS: Temperature coefficient of output span voltage  
 \*Temperature range from 0-50 deg C

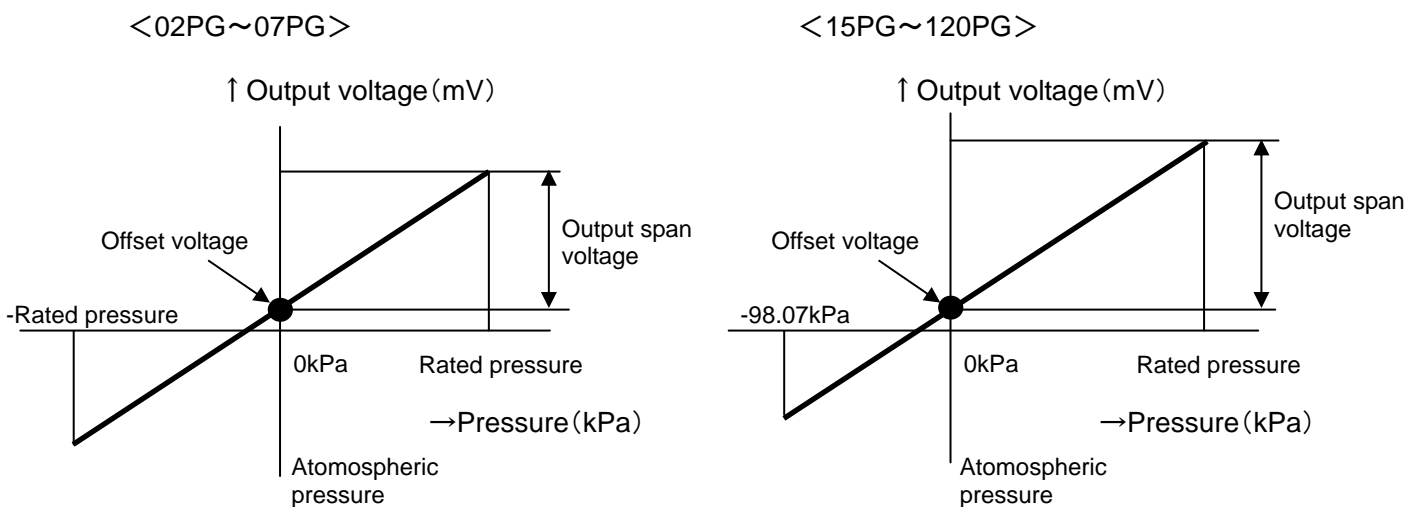
■ Outline dimensions ■



■ Connection diagram ■



■ Output characteristics ■



Note ; Please read instruction “Notes” before using the sensor.  
 Fujikura reserves the right to change specifications without notice.

If you have any questions regarding technical issues or specifications, please contact us.  
 Sensor Engineering Department 5-1 Kiba 1-chome, Koto-ku, Tokyo 135-8512, Japan  
 Phone +81-(0)3-5606-1072  
 E-mail : [sensor@fujikura.co.jp](mailto:sensor@fujikura.co.jp)