

## Features

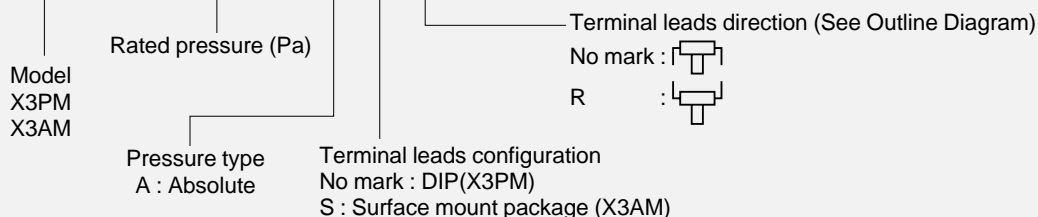
- 3V excitation, Battery operation available
- Volt level output
- On-chip amplification and temperature compensations
- Pre-calibration of offset voltage and span

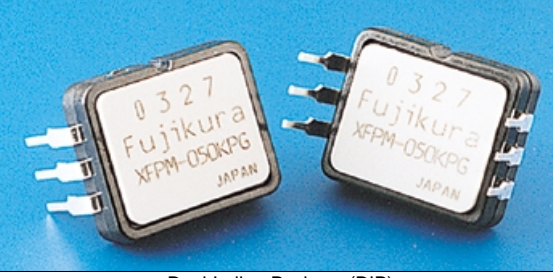
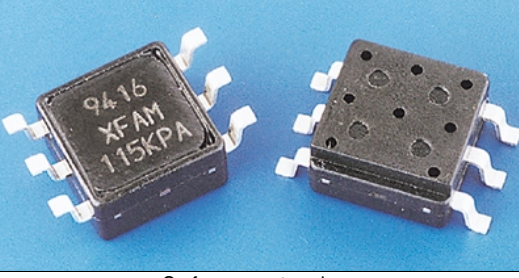
## Applications

- Industrial instrumentation
- Medical device
- Barometer, Altimeter
- Altitude compensation

## Part number for ordering

### X3AM - 115KP A S R



Pressure type	Absolute pressure	
	X3PM	X3AM
Model		
Package configuration	Dual-In-line-Package (DIP)	Surface mount package

Measurable pressure range (kPa)	Part number for ordering		
15~115	X3PM-115KPA	X3PM-115KPAR	X3AM-115KPASR

## Specifications

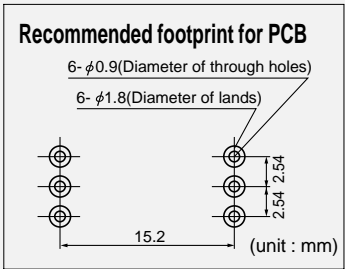
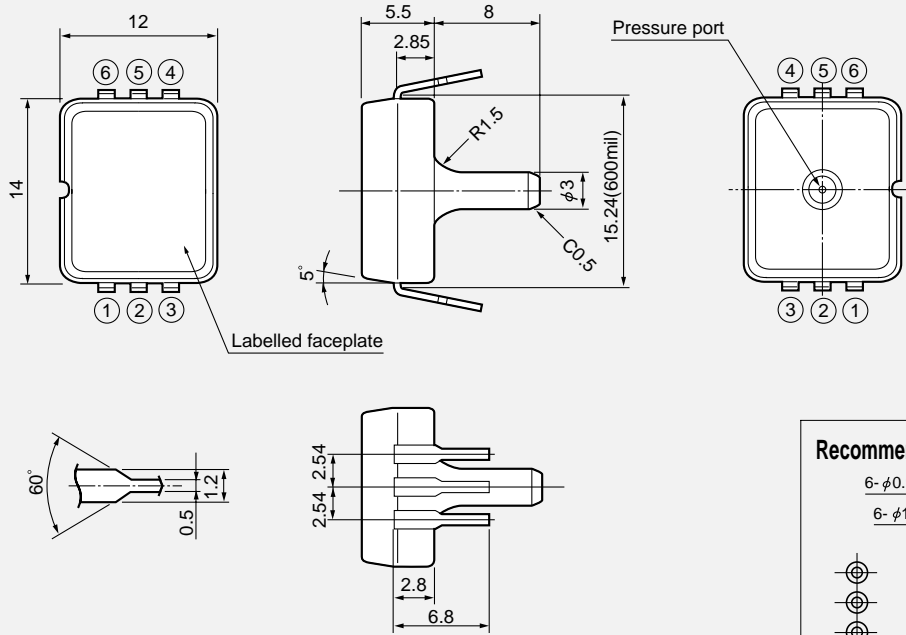
Model/Rated pressure	115KPA	Unit
<b>Recommended operating conditions</b>		
Pressure type	Absolute pressure	—
Rated pressure	115	kPa-abs
Measurable pressure range	15~115	kPa-abs
Pressure media	Non-corrosive gas only	—
Excitation voltage	3.0±0.15	VDC
<b>Absolute maximum rating</b>		
Maximum load pressure	Twice of rated pressure	—
Maximum excitation voltage	6	VDC
Operating temperature	-10~80	°C
Storage temperature	-20~100	°C
Operating humidity	30~80 (No dew condensation)	%RH
<b>Electric performances/characteristics (Excitation voltage Vcc=3.0V constant, Ambient temperature Ta=25°C)</b>		
Current consumption	less than 6	mA
Output impedance	less than 10	Ω
Source current	less than 0.1	mA
Sink current	less than 1	mA
Mechanical response time	2 (For the reference)	msec
Full scale span voltage	1.5	V
Offset voltage ※	0.5±0.075	V
Full scale span voltage ※	2.0±0.075	V
Accuracy ※	±5.0	%FS/0~50°C

Note ; ※ Excluding input voltage error.

■ Outline dimensions ■

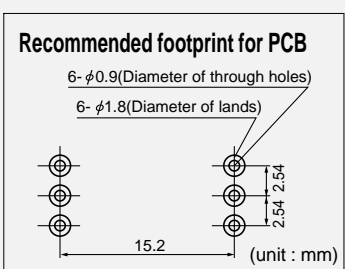
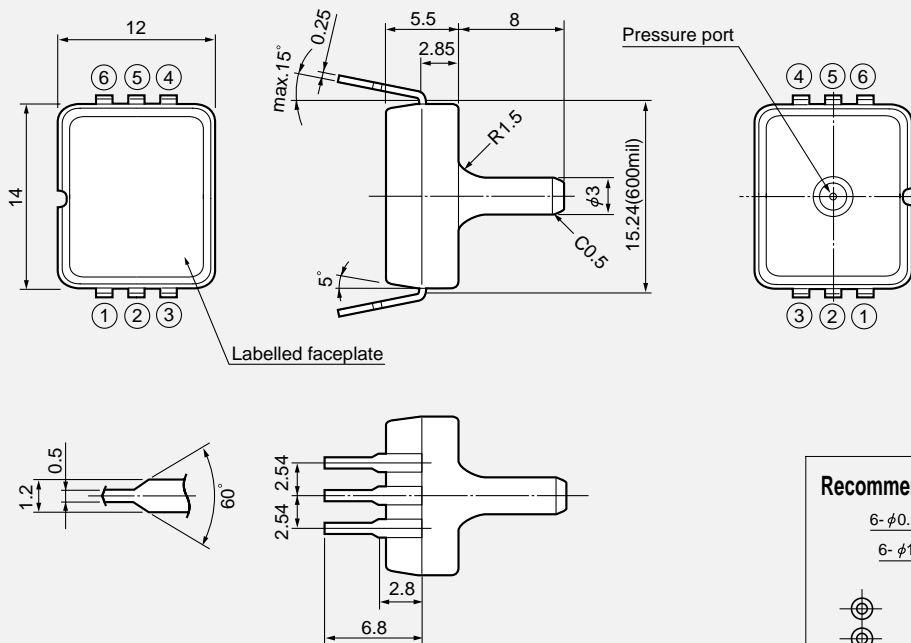
Unit : mm

X3PM (Absolute pressure)



Unit : mm

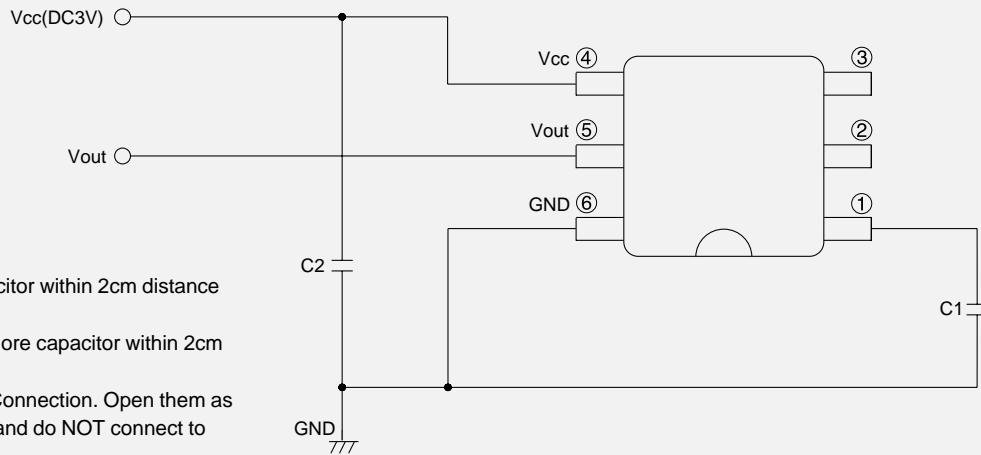
X3PM-R (Absolute pressure)





## ■ Connection diagram ■

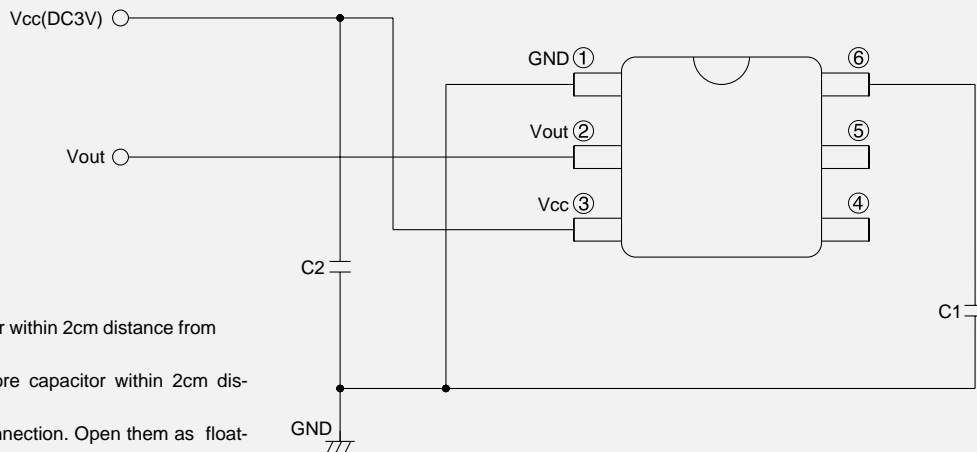
### X3PM (Absolute pressure)



#### Remarks :

- 1) C1 : Connect 680pF capacitor within 2cm distance from leads.
- 2) C2 : Connect 0.01  $\mu$ F or more capacitor within 2cm distance from leads.
- 3) 2 and 3 pins must be No Connection. Open them as floating ones completely, and do NOT connect to other line or each other.

### X3AM



#### Remarks :

- 1) C1 : Connect 680pF capacitor within 2cm distance from leads.
- 2) C2 : Connect 0.01  $\mu$ F or more capacitor within 2cm distance from leads.
- 3) 4 and 5 pins must be No Connection. Open them as floating ones completely, and do NOT connect to other line or each other.

Note ; Please read instruction "Notes" before using the sensor.  
Fujikura reserves the right to change specifications without notice.

# Fujikura Ltd.

If you have any questions regarding technical issues or specifications, please contact us.  
Sensor Engineering Department 5-1 Kiba 1-chome, Koto-ku, Tokyo 135-8512, Japan  
Phone +81-(0)3-5606-1072 Fax. +81-(0)3-5606-1538  
E-mail : sensor@fujikura.co.jp