

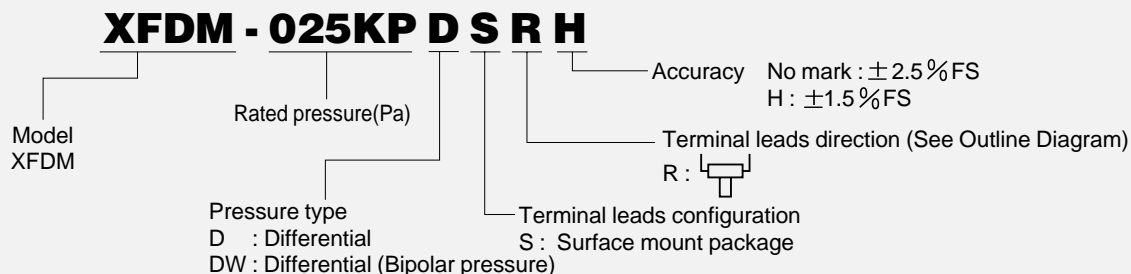
Features

- Two accuracy ranks, $\pm 1.5\%$ FS and $\pm 2.5\%$ FS available
- Volt level output
- On-chip amplification and temperature compensations
- Pre-calibration of offset voltage and span
- Very small surface mountable package, Easy to mount on PCB

Applications

- Industrial instrumentation
- Pressure switch, Pneumatic device
- Medical device

Part number for ordering



Pressure type	Differential pressure
	XFDM
Model	
Package configuration	Surface mount package

Measurable pressure range (kPa)	Part number for ordering	
-100~100	XFDM-100KPDWSR	XFDM-100KPDWSRH
0~25	XFDM-025KPDSR	XFDM-025KPDSRH
0~50	XFDM-050KPDSR	XFDM-050KPDSRH
0~100	XFDM-100KPDSR	XFDM-100KPDSRH
0~200	XFDM-200KPDSR	XFDM-200KPDSRH
0~1000	XFDM-001MPDSR	XFDM-001MPDSRH

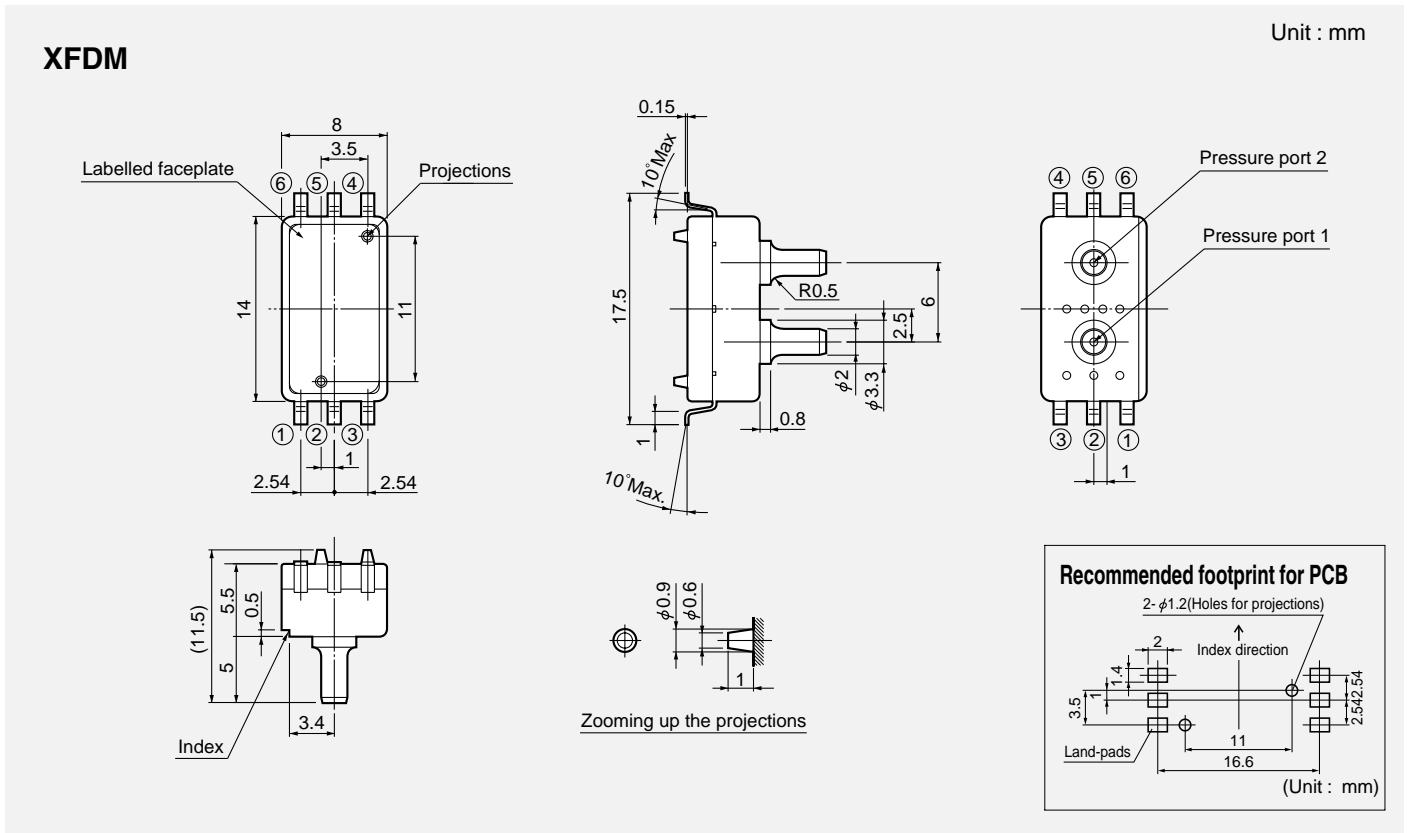
Specifications

Model/Rated pressure	100KPDW(H)	025KPD(H)	050KPD(H)	100KPD(H)	200KPD(H)	001MPD(H)	Unit
Recommended operating conditions							
Pressure type	Differential pressure						—
Rated pressure	± 100 ± 1.020	25 0.255	50 0.510	100 1.020	200 2.040	1000 10.20	kPa kg/cm ²
Measurable pressure range	-100~100	0~25	0~50	0~100	0~200	0~1000	kPa
Pressure media	Non-corrosive gas only						—
Excitation voltage	5.0 \pm 0.25						VDC
Absolute maximum rating							
Maximum load pressure	Twice of rated pressure					1.5times of rated pressure	—
Maximum excitation voltage	8						VDC
Operating temperature	-40~125						°C
Storage temperature	-40~125						°C
Operating humidity	30~80 (No dew condensation)						%RH
Electric performances/characteristics (Excitation voltage Vcc=5.0V constant, Ambient temperature Ta=25°C)							
Current consumption	less than 10						mA
Output impedance	less than 10						Ω
Source current	less than 0.2						mA
Sink current	less than 2						mA
Mechanical response time	2 (For the reference)						msec
Full scale span voltage	4.5						V
Offset voltage ※1, 2	0.2 \pm 0.1125, 0.2 \pm 0.0675(H)						V
Full scale span voltage ※1, 2	4.7 \pm 0.1125, 4.7 \pm 0.0675(H)						V
Accuracy ※2	$\pm 2.5, \pm 1.5$ (H)						%FS/0~85°C

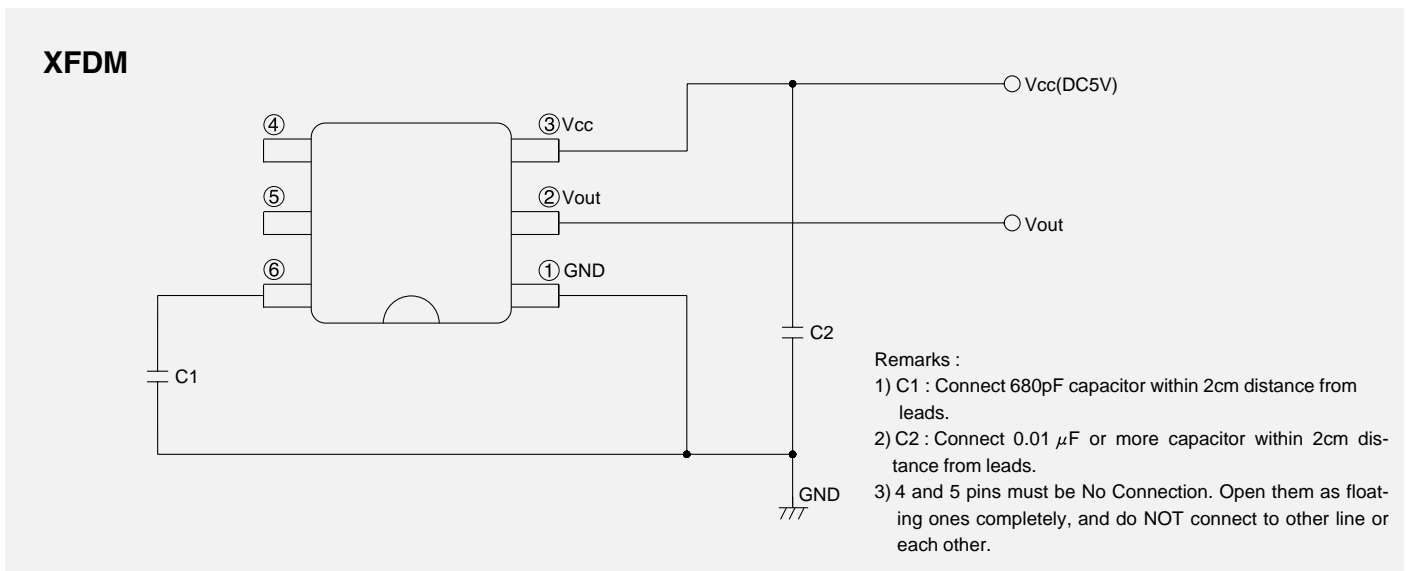
Note ; ※1) Output refers to pressure at pressure port 2.

※2) Excluding input voltage error.

■ Outline dimensions ■



■ Connection diagram ■



Note ; Please read instruction "Notes" before using the sensor.
Fujikura reserves the right to change specifications without notice.

Fujikura Ltd.

If you have any questions regarding technical issues or specifications, please contact our local distributor:
Servoflo Corporation, 75 Allen Street, Lexington, MA 02421
Phone (781) 862-9572 Fax. (781) 862-9244
E-mail: info@servoflo.com Internet: http://www.servoflo.com