

Analog Output Semiconductor Pressure Sensor

AP2 Series

Description

The AP2 pressure sensor series is composed of a silicon piezoresistive pressure sensing chip and a signal conditioning integrated circuit. The low-level signal from the sensing chip is amplified, temperature compensated, calibrated and finally converted to a high level analog output voltage that is proportional with the applied pressure. The AP2 series measures gauge pressure.



AP2*N



AP2*R

Features

- Amplified and temperature compensated analog output
- High accuracy $\pm 1.5\%$ FS
- Supply voltage 3.0, 3.3 & 5.0 Vdc
- Low supply current Max 2 mA at 3.3 Vdc
- Operating temperature -40 to 125°C
- Wide compensated temperature 0 to 85°C
- Pins & Package compatible with Fujikura’s XFPM integrated pressure sensor
- Customization available

Applications

- Battery-operated Devices
- Medical Devices
- Industrial Pneumatic Devices
- Consumer Devices

RoHS Compliant

Sold in North America By:
Servoflo Corporation
 75 Allen Street
 Lexington, MA 02421
 Tel: 781-862-9572
www.servoflo.com / info@servoflo.com

Device Lineup

Model	Pin Direction	Pressure Type	Supply Voltage	Accuracy	Pressure Range										
					-100	-50	0	25	50	100	200	500	700	1000 kPa	
					(-15)	(-7)	(3)	(7)	(15)	(30)	(70)	(100)	(150) psi		
AP2	Normal or Opposite	Gauge	5.0 Vdc or 3.3 Vdc	$\pm 1.5\%$ FS											
			3.0 Vdc	$\pm 2.0\%$ FS	Same as the above										

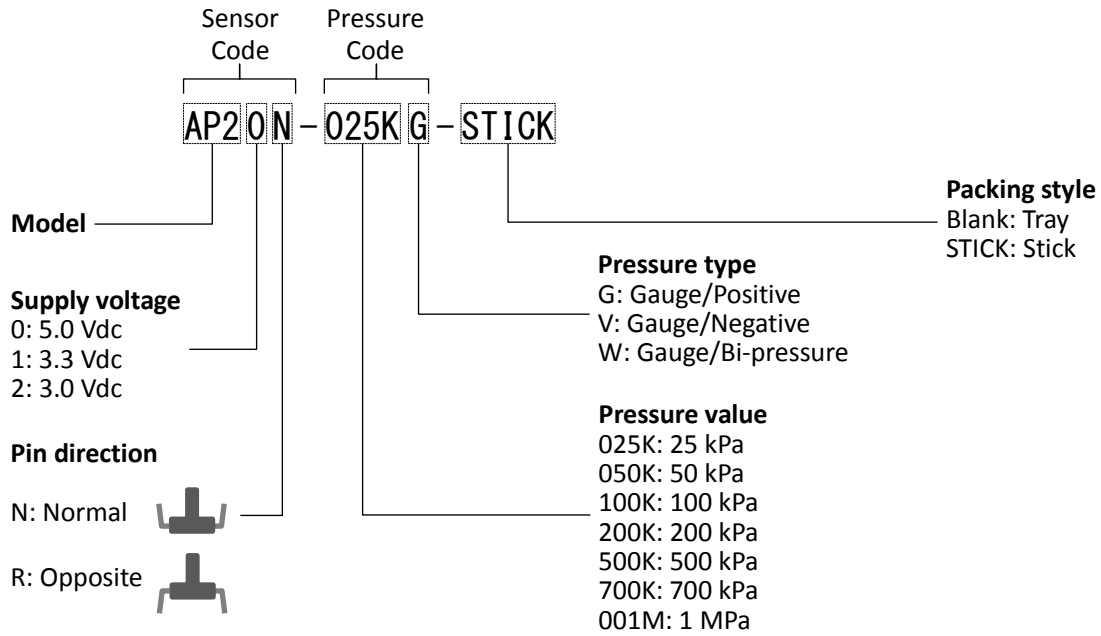
© 2013 Fujikura Ltd. All rights reserved.
 This data sheet has a possibility to be revised without notice. This data sheet does not contain all information. Before designing, please ask us the specifications of this product.



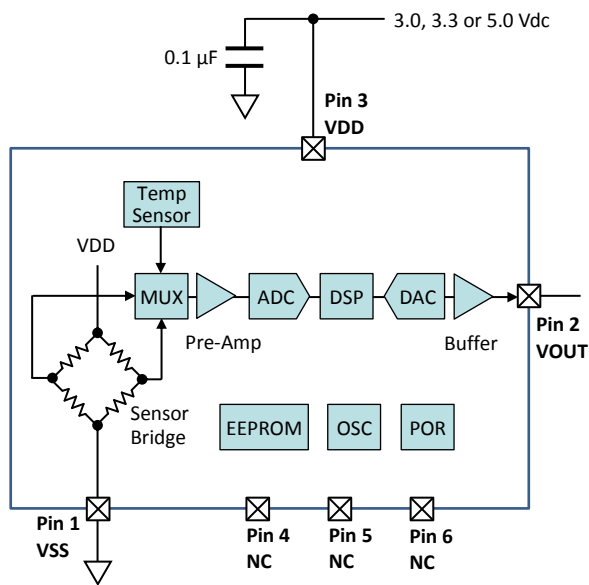
Analog Output Semiconductor Pressure Sensor

AP2 Series

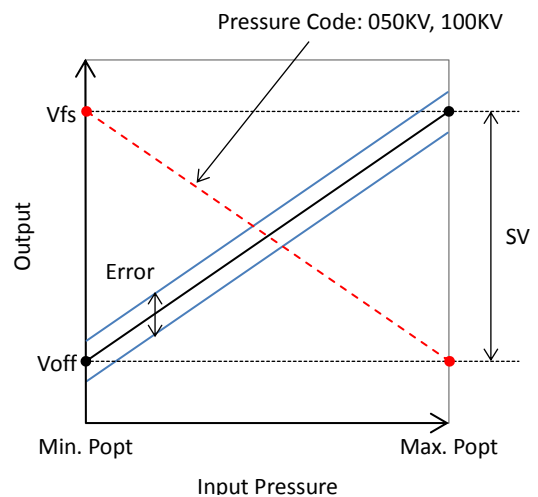
Device Name Code



Block Diagram



Output Characteristics



Analog Output Semiconductor Pressure Sensor

AP2 Series

Absolute Maximum Ratings

Item	Symbol	Rating	Unit
Supply Voltage	VDDmax	6	Vdc
Load Pressure	Pmax+	See Pressure Range Table	
Operating Temperature	Topt	-40 to +125	°C
Storage Temperature	Tstg	-40 to +125	°C

General Specifications

Item	Symbol	Sensor Code			Unit
		AP20*	AP21*	AP22*	
Supply Voltage	VDD	5.0±0.25	3.3±0.165	3.0±0.15	Vdc
Type of Pressure	-	Gauge pressure			
Pressure Media	-	Non-corrosive gases			
Compensated Temperature	-	0 to +85			°C
Operating Humidity	Hopt	30 to 85 (non-condensing)			%RH
Storage Humidity	Hstg	30 to 85 (non-condensing)			%RH

Pressure Range

Item	Symbol	Pressure Code										Unit
		025KG	050KG	100KG	200KG	500KG	700KG	001MG	050KV	100KV	100KW	
Absolute Maximum Load Pressure	Pmax+	+50	+100	+200	+400	+1000	+1400	+1500	+100	+200	+200	kPa
Measurement Pressure	Popt	Min.	0	0	0	0	0	0	-50	-100	-100	
		Max.	+25	+50	+100	+200	+500	+700	+1000	0	0	

Electrical Characteristics

Load resistor $R_L = \infty$, Ambient temperature $T_a = 25^\circ\text{C}$

Sensor Code	Item	Condition	Symbol	Rating			Unit
				Min.	Typ.	Max.	
AP20* VDD = 5.0 Vdc	Offset Voltage	Min. Popt, 050KV & 100KV: Max. Popt	Voff	0.1325	0.2	0.2675	V
	Full Scale Voltage	Max. Popt, 050KV & 100KV: Min. Popt	Vfs	4.6325	4.7	4.7675	V
	Span Voltage	Min. to max. Popt	SV	-	4.5	-	V
	Accuracy	0 to 85°C	Error	-1.5	-	+1.5	%FS
				-0.0675	-	+0.0675	V
	Output Resolution		Vrso	-	2.5	-	mV
	Supply Current		Ic	-	-	3	mAdc
AP21* VDD = 3.3 Vdc	Offset Voltage	Min. Popt, 050KV & 100KV: Max. Popt	Voff	0.2595	0.3	0.3405	V
	Full Scale Voltage	Max. Popt, 050KV & 100KV: Min. Popt	Vfs	2.9595	3.0	3.0405	V
	Span Voltage	Min. to max. Popt	SV	-	2.7	-	V
	Accuracy	0 to 85°C	Error	-1.5	-	+1.5	%FS
				-0.0405	-	+0.0405	V
	Output Resolution		Vrso	-	1.7	-	mV
	Supply Current		Ic	-	-	2	mAdc
AP22* VDD = 3.0 Vdc	Offset Voltage	Min. Popt, 050KV & 100KV: Max. Popt	Voff	0.096	0.15	0.204	V
	Full Scale Voltage	Max. Popt, 050KV & 100KV: Min. Popt	Vfs	2.796	2.85	2.904	V
	Span Voltage	Min. to max. Popt	SV	-	2.7	-	V
	Accuracy	0 to 85°C	Error	-2.0	-	+2.0	%FS
				-0.054	-	+0.054	V
	Output Resolution		Vrso	-	1.5	-	mV
	Supply Current		Ic	-	-	2	mAdc
Common	Response Time	for reference	tr	-	1	-	msec.
	Sampling Frequency		fs	-	1	-	kHz
	Load Resistor	VOUT - VSS or VDD - VOUT	RL	2.5	-	-	kΩ
	Load Capacitance	VOUT - VSS	CL	-	-	15	nF

Analog Output Semiconductor Pressure Sensor

AP2 Series

Sold in North America By:

Servoflo Corporation

75 Allen Street

unit: mm

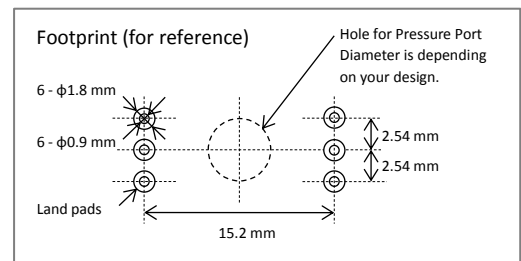
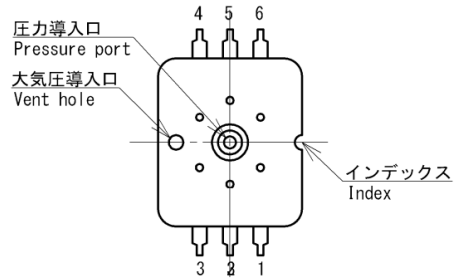
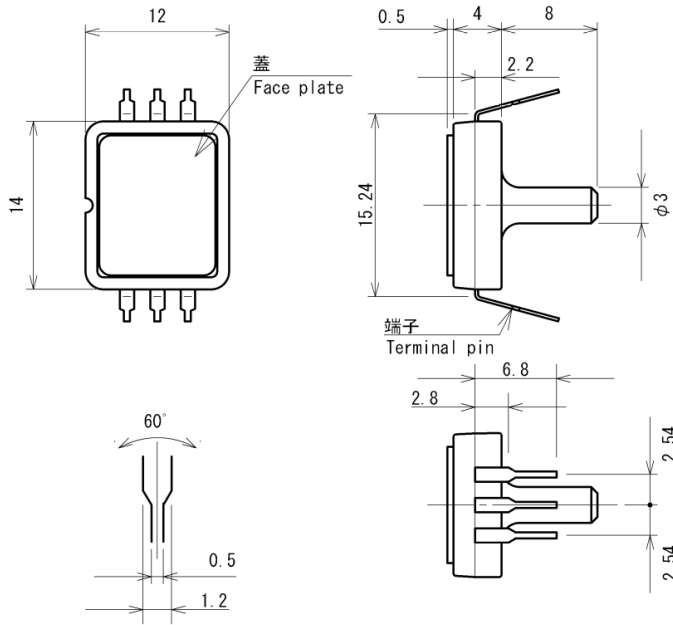
Lexington, MA 02421

Tel: 781-862-9572

www.servoflo.com / info@servoflo.com

Package Dimensions

Sensor Code: AP2*N



Sensor Code: AP2*R

