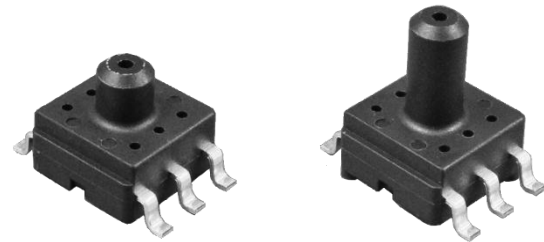


Digital Output Semiconductor Pressure Sensor

AG4 Series

Description

The AG4 pressure sensor series is composed of a silicon piezoresistive pressure sensing chip and a signal conditioning integrated circuit. The low-level signal from the sensing chip is amplified, temperature compensated, calibrated and finally converted to digital data that is proportional with the applied pressure. The AG4 series measures gauge pressure.



AG4*3

AG4*6

Features

- Digital output
- High accuracy $\pm 1.5\%$ FS
- Supply voltage 3.0, 3.3 & 5.0 Vdc
- Low supply current Max 3.5 mA at 3.3 Vdc
- Miniature 10.3 mm x 7 mm SMT package
- 3 mm port and 6 mm port available
- Operating temperature -40 to 125°C
- Wide compensated temperature 0 to 85°C
- Package compatible with Fujikura's XFGM integrated pressure sensor
- Customization available

Applications

- Battery-operated Devices
- Medical Devices
- Industrial Pneumatic Devices
- Consumer Devices

RoHS Compliant

Sold in North America By:
Servoflo Corporation
 75 Allen Street
 Lexington, MA 02421
 Tel: 781-862-9572
www.servoflo.com / info@servoflo.com

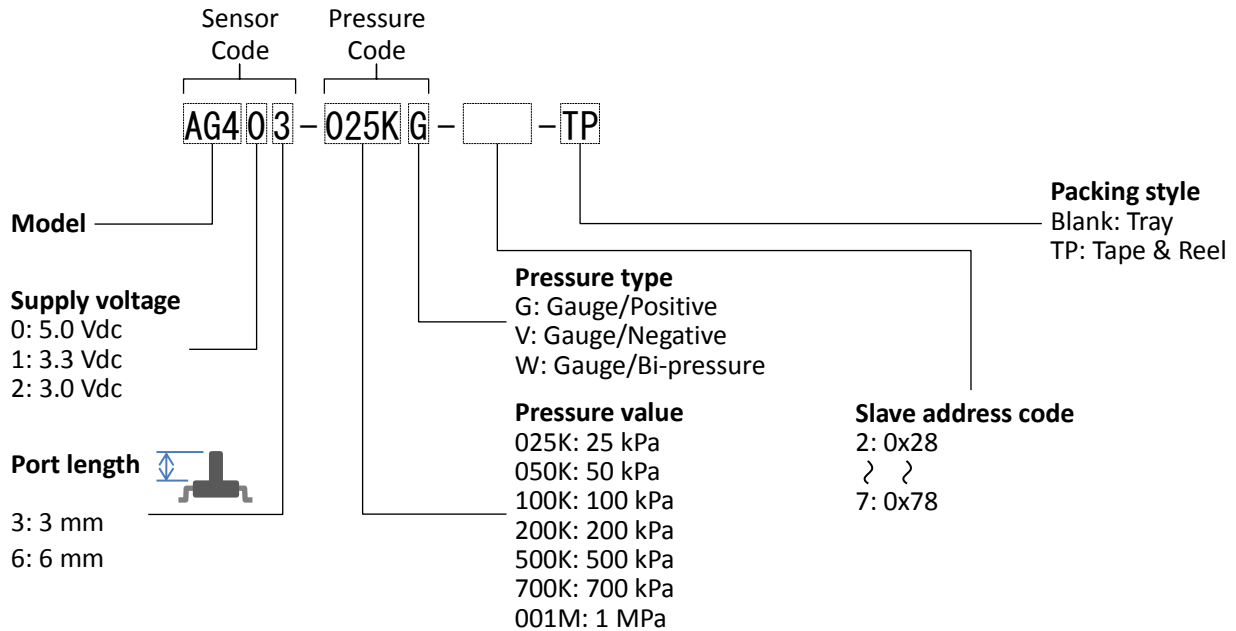
Device Lineup

Model	Port Length	Pressure Type	Supply Voltage	Accuracy	Pressure Range									
					-100 (-15)	-50 (-7)	0 (3)	25 (7)	50 (15)	100 (30)	200 (70)	500 (100)	700 (150)	1000 kPa (150)
AG4	6 mm or 3 mm	Gauge	5.0 Vdc	$\pm 1.5\%$ FS	025KG									
					050KG									
					100KG									
					200KG									
					500KG									
			700KG											
			001MG											
			050KV											
			100KV											
			100KW											

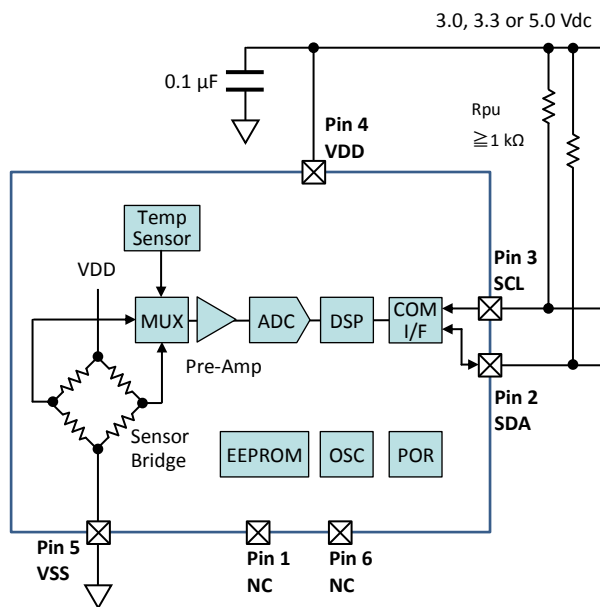
Digital Output Semiconductor Pressure Sensor

AG4 Series

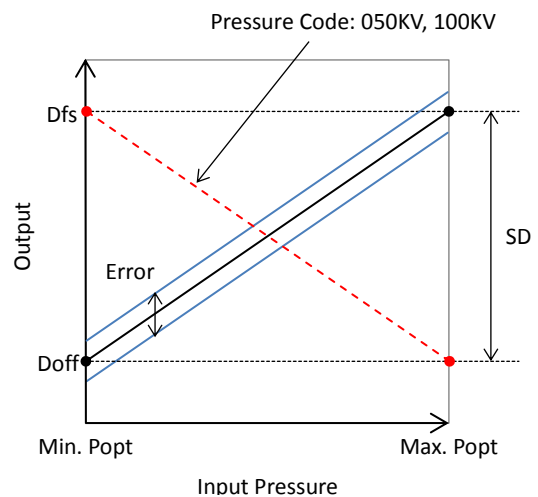
Device Name Code



Block Diagram



Output Characteristics



Digital Output Semiconductor Pressure Sensor

AG4 Series

Absolute Maximum Ratings

Item	Symbol	Rating	Unit
Supply Voltage	VDDmax	-0.3 to +6	Vdc
Voltage at Digital I/O Pins	Vdiomax	-0.3 to VDD + 0.3	Vdc
Load Pressure	Pmax+	See Pressure Range Table	
Operating Temperature	Topt	-40 to +125	°C
Storage Temperature	Tstg	-40 to +125	°C

General Specifications

Item	Symbol	Sensor Code			Unit
		AG40*	AG41*	AG42*	
Supply Voltage	VDD	5.0±0.25	3.3±0.165	3.0±0.15	Vdc
Type of Pressure	-	Gauge pressure			
Pressure Media	-	Non-corrosive gases			
Compensated Temperature	-	0 to +85			°C
Operating Humidity	Hopt	30 to 85 (non-condensing)			%RH
Storage Humidity	Hstg	30 to 85 (non-condensing)			%RH

Pressure Range

Item	Symbol	Pressure Code										Unit
		025KG	050KG	100KG	200KG	500KG	700KG	001MG	050KV	100KV	100KW	
Absolute Maximum Load Pressure	Pmax+	+50	+100	+200	+400	+1000	+1400	+1500	+100	+200	+200	kPa
Measurement Pressure	Popt	Min.	0	0	0	0	0	0	-50	-100	-100	
		Max.	+25	+50	+100	+200	+500	+700	+1000	0	0	

Electrical Characteristics

Ambient temperature Ta = 25°C

Item	Condition	Symbol	Rating			Unit
			Min.	Typ.	Max.	
Offset Pressure Data	Min. Popt, 050KV & 100KV: Max. Popt	Doff	598	819	1040	Count
Full Scale Pressure Data	Max. Popt, 050KV & 100KV: Min. Popt	Dfs	15344	15565	15786	Count
Span Pressure Data	Min. to max. Popt	SD	-	14746	-	Count
Accuracy	0 to 85°C	Error	-1.5	-	+1.5	%FS
Supply Current	VDD = 5 Vdc	Ic	-	-	4.5	mAdc
	VDD = 3.3, 3.0 Vdc		-	-	3.5	
Response Time	for reference	tr	-	1	-	msec.

Communication Interface & Protocol

Item	Content
Interface	I ² C™
Slave Address	7 bit, 0x28 to 0x78
Measurement Packet	<p> S Start Condition S Stop Condition [6:0] Slave Address [13:8] Data Bit R Read (1) A ACK N NACK </p>

I²C™ is a trademark of NXP Semiconductors.

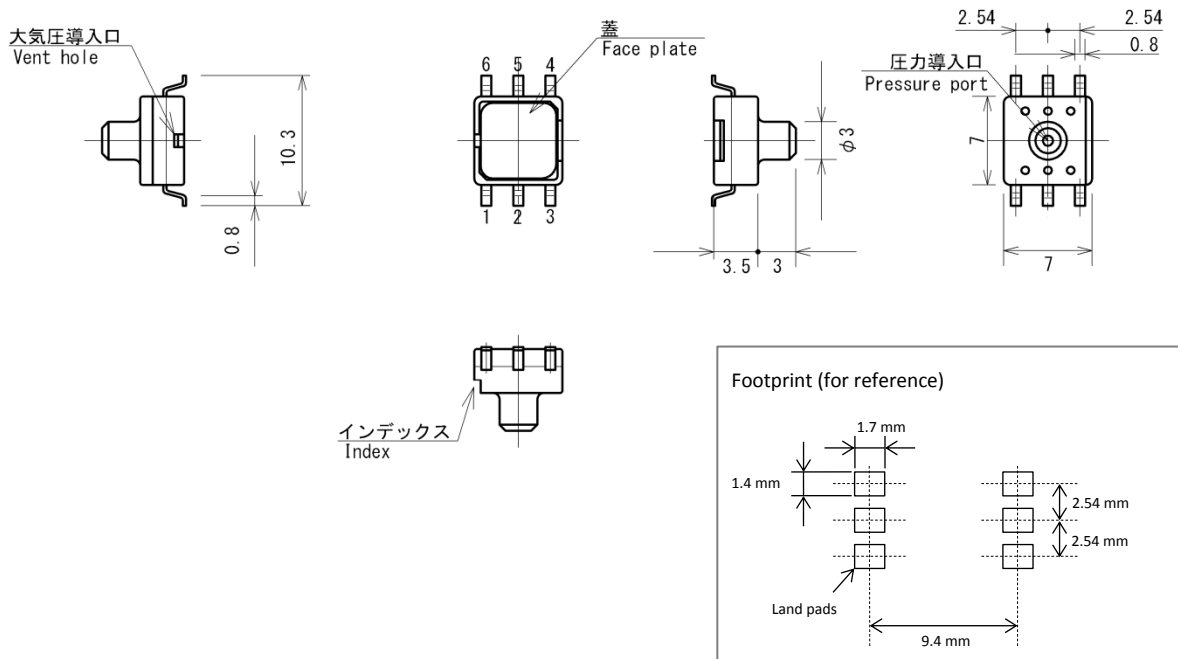
Digital Output Semiconductor Pressure Sensor

AG4 Series

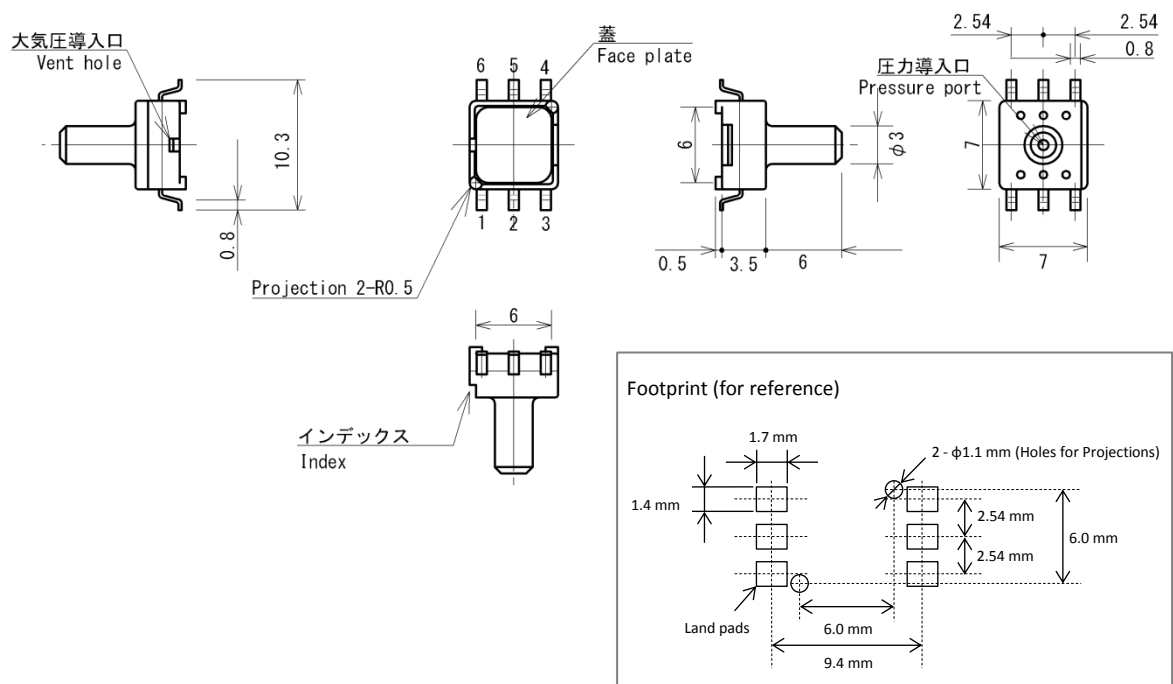
Package Dimensions

unit: mm

Sensor Code: AG4*3



Sensor Code: AG4*6



Digital Output
Semiconductor Pressure Sensor

AG4 Series

Sold in North America By:
Servoflo Corporation
75 Allen Street
Lexington, MA 02421
Tel: 781-862-9572
www.servoflo.com / info@servoflo.com