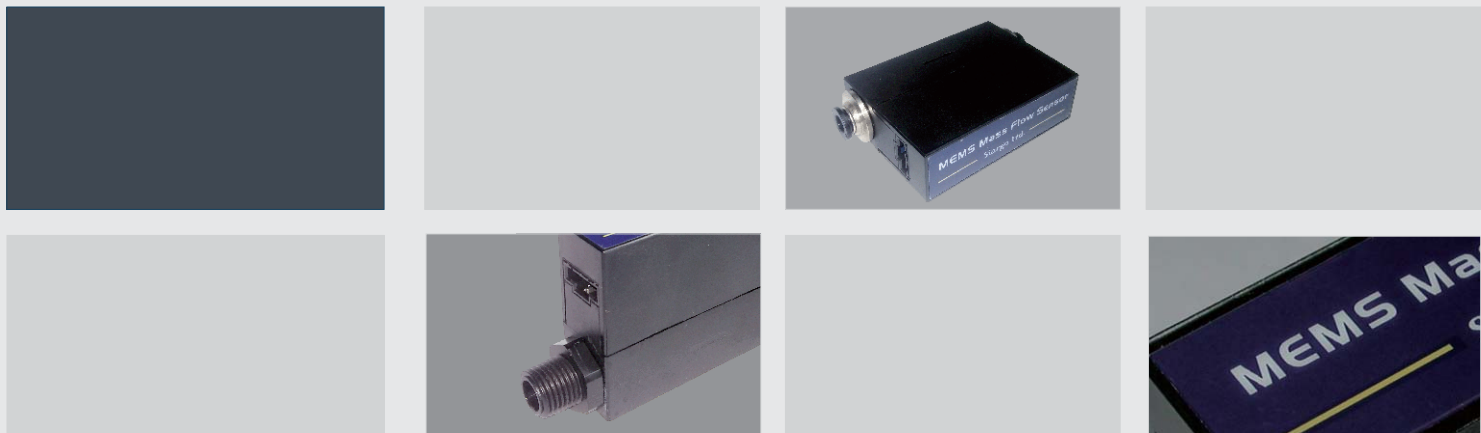




Siargo Ltd.



Model FS4000

SIARGO MEMS FLOW SENSOR PRODUCTS
MEMS Mass Flow Sensors

VB.16

Sold in North America

By:

Servoflo Corporation

75 Allen Street

Lexington, MA 02421

Tel: 781-862-9572

www.servoflo.com / info@servoflo.com



Management System
EN ISO 13485:2016
www.tuv.com
ID: 000053108



© 2020 Siargo Ltd.



Siargo Ltd.

MEMS Mass Flow Sensors

FS4000 Series

User Manual

Document No. 10-2020-S2 EN

Issue date: 2020.10

Revision: VB.16

Siargo Ltd.

3100 De La Cruz Boulevard,
Suite 210,
Santa Clara, CA 95054
USA

Tel: +1(408)969.0368

Email: info@siargo.com

© Copyright 2020 by Siargo Ltd.

Siargo Ltd. and its subsidiaries reserve the rights to change the specifications and/or descriptions without prior notice. For further information and updates, please visit: www.Siargo.com

MEMS Mass Flow Sensors



Siargo Ltd.

Model FS4000

Features

- Mass flow range from 0 ~ 2 SLPM to 0 ~ 50 SLPM
- Response time 10 ms, excellent for critical applications
- Pressure rating up to 0.5 MPa (5 bar, 73 psi)
- Exchangeable mechanical connectors for easy installation at different applications
- Compact design ready for multiple channel assembly
- Excellent for electronic meters in anesthesia equipment



Description

The FS4000 mass flow sensors are manufactured using Siargo's proprietary MEMS flow sensor and package technology. The products are designed for reliability with excellent performance in targeted applications. The sensors are housed in 3mm and 8mm pipes with maximum flow rate 5 SLPM and 50 SLPM, respectively. Each model is manufactured via specially designed package and smart electronics so that the optimal sensitivity would be achieved.

The packaging enclosure is made of the chemically inert and thermally stable polycarbonate material. The maximum over pressure rating can reach up to 0.5 MPa (5 bar, 73 psi) that is benefitted from Siargo's unique MEMS sensor chip structure, special packaging technology and the rugged sensor housing.

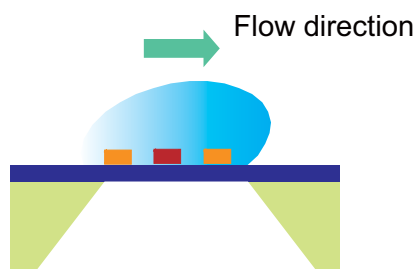
The mechanical structure of FS4000 series is designed for easy assembly as manifold for process

gas monitoring and control. Models of FS4003 are packaged in a flow channel diameter of 3 mm with a very low pressure loss configuration and measures air flow up to 5 SLPM. Applications include leakage detection, particle counter and analytical instrumentation. FS4008 are packaged in a flow channel diameter of 8 mm and measures air flow up to 50 SLPM. It can be used in gas flow measurement and/or control equipment. Applications include electronic flow meter for anesthesia equipment, clean room gas flow monitoring, air sampler, and gas analyzer.

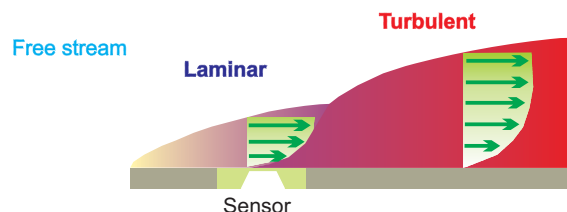
The FS4000 sensors require a power supply of 8 ~ 24 Vdc and provide an analog output or both an analog and a digital outputs. The analog output is linearized from 0.5 Vdc to 4.5 Vdc corresponding with flow rate from 0 to full scale. The digital output can be found in

Working Principle

The MEMS sensor chip utilizes the calorimetric principle. It is packaged on a plate installed inside the flow channel, which provides additional flow conditioning from the boundary layer configuration resulting in a laminar flow. The mass flow measurement is established as the gas carries heat away from the heater leading to the redistribution of the temperature field. Accurate flow rate is obtained by calibration with standard gas at preset conditions.



Time-averaged velocity profile boundary layer





MEMS Mass Flow Sensors

the communication protocol described late in this manual. The response time of the FS4000 is 10 ms by default, which provides solutions for critical applications where instant flow rate changes to be monitored. However, if slower response time is preferred, then it can be modified through RS232/RS485 communication protocol.

The mechanical interface provides options of BSPT

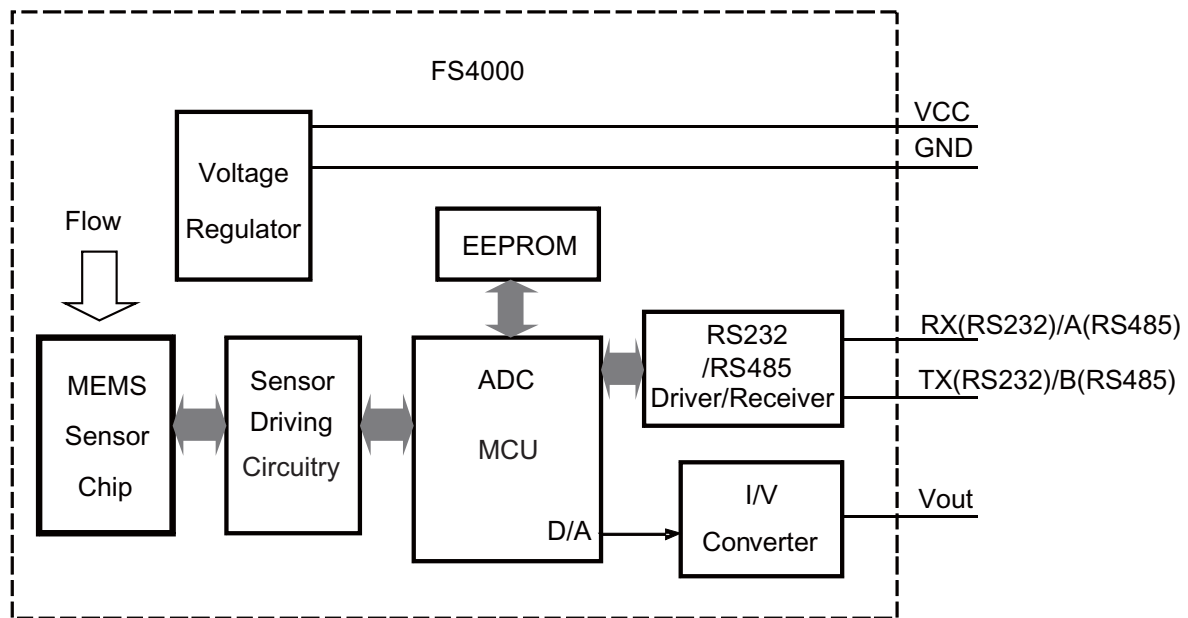
thread and one-touch connectors. They are readily interchangeable, which provides easy installation for different connection requirements.

The calibration is generally performed with air at 20°C and 101.325kPa pressure rating. It can nonetheless be carried out with other gases and conditions upon requests.

Block Diagram

The functional block diagram is shown in the following figure. The critical component of the FS4000 is the MEMS sensor chip. The sensor driving circuitry sends flow rate related voltage to ADC. The micro-controller processes (amplifies, filters, etc) the voltage and then

converts the voltage into flow rate. The flow rate signal is sent out through analog or both analog and digital formats (RS232 or RS485).



Functional block diagram of the FS4000.



1. Sensor Performance

1.1 Performance Specifications

All data unless otherwise noted apply for calibration conditions: Air, 20 °C, 101.325 kPa absolute pressure, horizontal mounting.

Model	FS4003	FS4008	
Flow Range	0 ~ 2, 3, 4, 5	0 ~ 10, 20, 30, 40, 50	SLPM
Turn-down Ratio	> 100:1		
Accuracy ¹	± (1.5 + 0.2FS)		%
Repeatability	± 0.25		%Reading
Null Shift	± 30		mV
Output Shift	± 0.12		%/°C
Response Time ²	10 (Default, 50, 100, 200, 500, 1000 selectable)		ms
Filter Depth ³	0 (Default, 0 and 4~255 selectable)		ms
Output ⁴	Linear: Analog 0.5 ~ 4.5 Vdc / Digital RS232 or RS485		
Pressure Drop (Max.) ⁵	< 100	< 600	Pa
Max. Working Pressure	0.5		MPa
Power Supply ⁶	8 ~ 24 Vdc, 50 mA		
Operating Current	16 typical when RS232/RS485 not connected 18 typical when RS232/RS485 communicates with a PC		mA
Power Consumption	< 220		mW
Analog Output Load	Sourcing: 14 Sinking: 11		mA
Working Temperature	-10 ~ +55		°C

- 1 Denotes ±(1.5 %Reading + 0.2 % Full Scale). To obtain accurate flow measurement, let the sensor warm up 1 minute at power up. The sensors are calibrated with air, when used to measure other gases, the error will be larger. For ensure the good accuracy in other gases, the sensor must be calibrated with real gas.
- 2 The default response time is 10ms. It can be programmed via RS232/RS485 communication port. The value will affect both of the analog output and digital output.
- 3 The default filter depth is 0. It can be programmed to 4 ~ 255 via RS232/RS485 communication port. The value will affect digital output only, but not affect analog output.
- 4 The analog output is provided and the RS232/RS485 is optional. The analog voltage 0.5 ~ 4.5 Vdc corresponds with flow rate of 0 ~ full scale. RS232 protocol can be found at the Appendix, and the RS485 can be obtained from the manufacturer.
- 5 The maximum pressure drops measured at flow rates of 5 SLPM and 50 SLPM for FS4003 and FS4008 respectively. See section 1.4 for details.
- 6 One DC power supply is necessary. The required minimum output current is 50 mA. The sensor actually consumes less than that in operation.

Compliance Statement: All components of this product are RoHS compliant. The product fully complies with CE norm EN61000-6-1 through 61000-6-4 and EMC directive 2014/30/EU.

1.2 Additional Specifications

Model	FS4003	FS4008	Unit
Mechanical Connection ¹	BSPT 1/4 (R 1/4), 4 mm/6 mm/8 mm One-touch	BSPT 1/4 (R 1/4)	
DN	3	8	mm
Pins Out ²	5 Pins, NS-TECH CD R-5		
Calibration Options ³	Air @ 20 °C, 101.325 kPa		
Package Material	Polycarbonate		
Size	< 98.0 x 48.0 x 20.0		mm ³
Weight	50 (with BSPT 1/4 (R1/4) connection) 69(with O4, O8 connection),66(with O6 connection)		g
Storage Temperature	-20 ~ +65		°C
Humidity	< 95 %RH (No icing or condensation)		
Maximum Overflow	30	200	SLPM
Maximum Flow Change	4	30	SLPM/sec

1 The BSPT connector and one-touch connector are interchangeable for FS4003.

2 The 0.5m output cable (SN5-50) is usually shipped together with the sensor.

3 Calibrations at other gases and conditions available upon request.

1.3 Flow Characteristics

1.3.1 Analog Output Characteristics

The FS4000 provides an analog output of 0.5 ~ 4.5 Vdc corresponding with 0 ~ full scale flow rate. Using full scale of 5 SLPM as an example, the typical analog output v.s. flow rate is illustrated in Table 1.1 and Figure 1.1.

Table 1.1: Typical output voltage v.s. flow rate.

Flow Rate (SLPM)	Typical Voltage (Vdc)
0.0	0.5
1.0	1.3
2.0	2.1
3.0	2.9
4.0	3.7
5.0	4.5
5.5	4.9
6.0	4.9

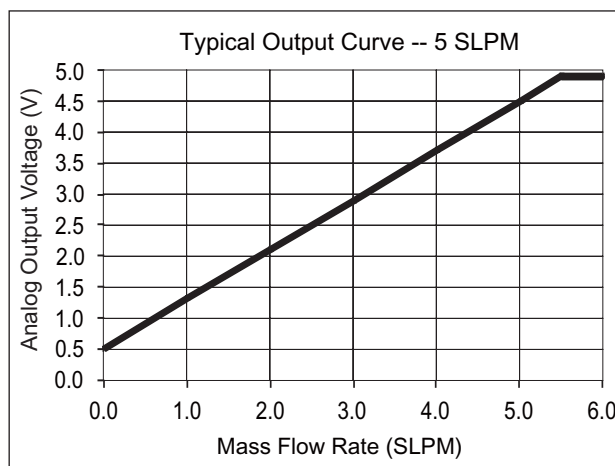


Figure 1.1: A typical analog output curve.

The sensor is calibrated 10% above the full scale flow rate to ensure the accuracy within the defined full range during interpolation. For example, full scale 5 SLPM is calibrated till 5.5 SLPM. Hence at a flow rate beyond the defined full scale, there is still analog output but the accuracy is not guaranteed.



1.3.2 Digital Output Characteristics

The digital output is accessed via RS232/RS485. Figure 1.2 shows the applied mass flow rate v.s. the digital output of a 50 SLPM full scale sensor. Same as analog output, when flow rate is beyond the defined full scale, the output accuracy is not guaranteed.

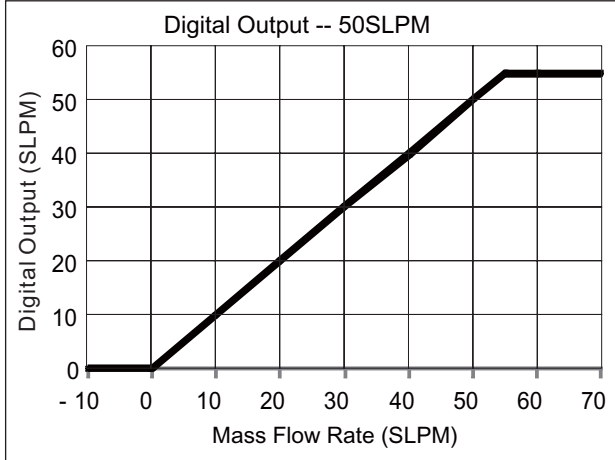


Figure 1.2: Typical digital output characteristics.

1.4 Pressure Drop Characteristics

The FS4000 is packaged with standard enclosures with flow channel sizes of 3 mm and 8 mm, respectively, for different applications. The pressure drop is influenced by the flow channel size as well as the flow rate applied. For FS4003, the maximum pressure drop is measured at flow rate 5 SLPM, and 50 SLPM for FS4008. The results are shown in Table 1.2, 1.3 and Figure 1.3, 1.4.

Table 1.2: FS4003 pressure drop v.s. flow rate.

Flow Rate (SLPM)	0	1	2	3	4	5
Pressure Drop (Pa)	0	6	15	30	55	95

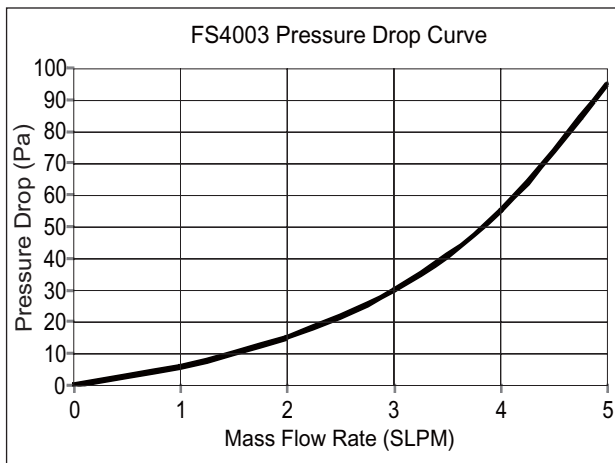


Figure 1.3: FS4003 pressure drop v.s. flow rate.

Table 1.3: FS4008 pressure drop v.s. flow rate.

Flow Rate (SLPM)	0	5	10	20	30	40	50
Pressure Drop (Pa)	0	8	25	90	200	370	580

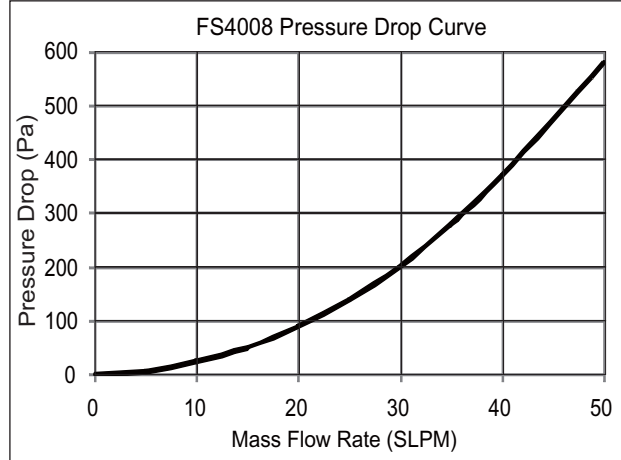


Figure 1.4: FS4008 pressure drop v.s. flow rate.

1.5 Mechanical connectors

The FS4000 sensors have exchangeable connectors, including BSPT and One-touch connectors with different diameters. It is however advised that the sensors are calibrated with the connectors that are specified at the order. The change of the connectors, particularly changes from large diameter connectors to smaller diameter connectors will likely lead to large measurement errors.

2. Pins and Interface

2.1 Pin Definition

The FS4000 provides a 5-pin interface. The output connecting cable of 0.5m long is shipped together with the sensor. The sensor pin layout is shown in Figure 2.1 and the cable color code is defined in Table 2.1.

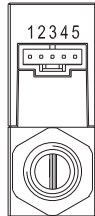


Figure 2.1: FS4000 pin layout.

Table 2.1: FS4000 cable color code.

Pin#	Color	Definition
1	Blue	TX (RS232 transmit) / B (RS485)
2	Green	Vout, Analog output
3	Red	VCC, Power supply
4	Black	GND, Ground
5	Yellow	RX (RS232 receive) / A (RS485)

2.2 Pin Description

VCC and GND: The FS4000 requires a power supply of 8 ~ 24 Vdc. The voltage is internally regulated to power the circuit. Therefore, there are no stringent requirements on the accuracy, stability as well as ripple of the power supply. The sensor consumes less than 30 mA normally but a 50 mA is required for the power supply to ensure a sufficient working current.

Vout: The analog output pin provides 0.5 ~ 4.5 Vdc corresponding with the specified flow range 0 ~ full scale. Beyond this range, there is still voltage reading, but the accuracy is not guaranteed.

TX and RX: The RS232 communication is bi-directional. TX is the transmit pin for RS232 and it sends out signal from the sensor. RX is the receive pin and it receives signal. Using these two pins together with GND pin, the sensor's operation mode and response time can be configured, and the voltage as well as flow rate can be obtained.

A and B: The RS485 is an asynchronous, half-duplex communication. A is the transmit pin for RS485 and it sends out signal from the sensor. B is the receive pin and it receives signal. When transmitting signal from the sensor, or receiving signal, the other pin is working as GND.

3. Mechanical Dimensions and Mountings

3.1 Sensor Mechanical Dimensions

The FS4000 provides two options to mechanically interface with customer applications: BSPT 1/4 (R 1/4) thread and one-touch connectors, and they are readily interchangeable. The dimensions are shown in Figure 3.1 and Figure 3.2.

For BSPT 1/4 (R 1/4) connection:

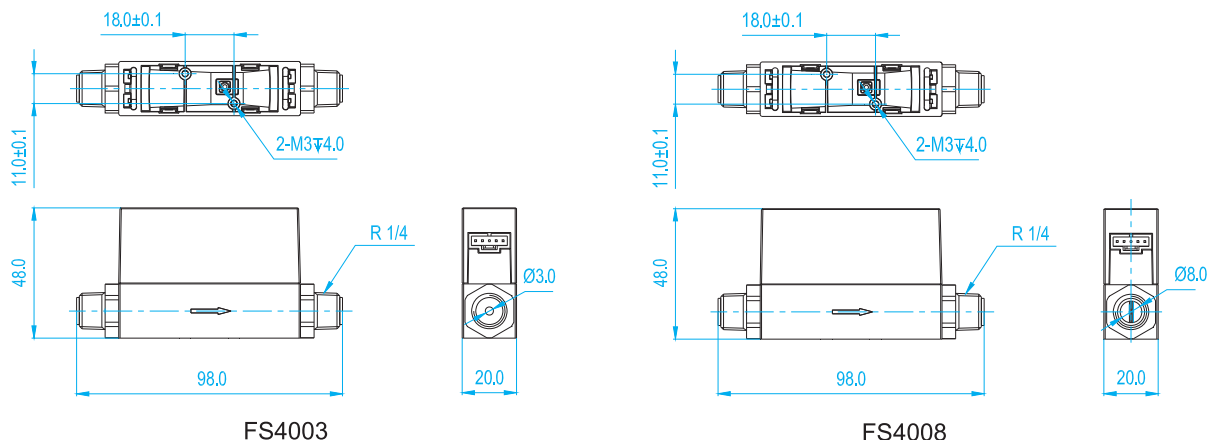
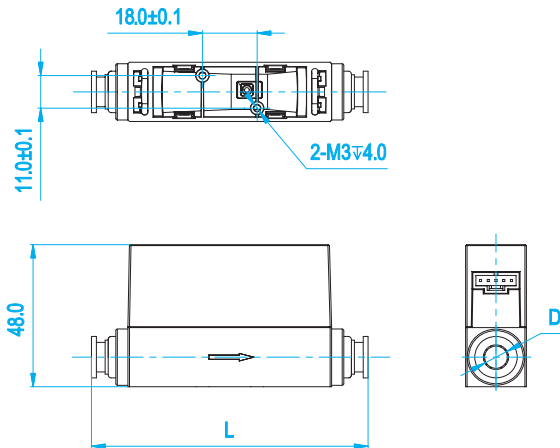


Figure 3.1: The FS4000 mechanical dimensions with BSPT 1/4 (R 1/4) connectors.

For one-touch connection (FS4003):



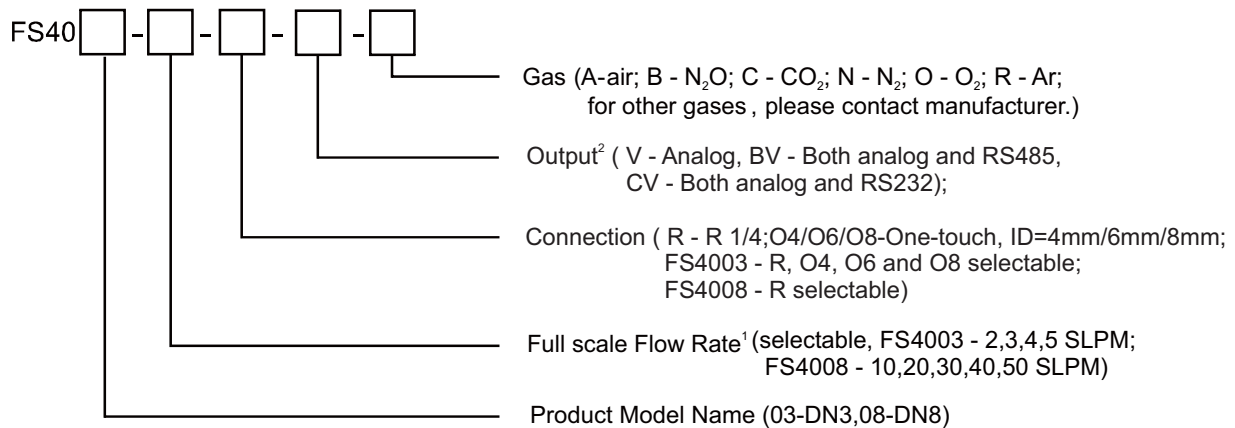
One-touch Connection	L	D
ID=8mm	91.0	Φ8.0
ID=6mm	83.0	Φ6.0
ID=4mm	80.0	Φ4.0

Figure 3.2: The FS4003 mechanical dimensions with one-touch connector.

4. Ordering Guide

4.1 Sensor Selection

The sensor part number is composed of the product model number and suffix indicating the full scale flow rate, mechanical connection, output format as well as the application gas. Refer the following for details.



1 Max. flow rate number only, for example, 30 meaning full scale flow rate of 30SLPM.

For CO₂ and N₂O, selectable: 2, 3 and 4 SLPM (without 5 SLPM); 10, 20, 30 and 40 SLPM (without 50 SLPM);

2 The sensor shipped with standard analog output. RS232/RS485 is optional.

4.2 Order Contact and Customer Support

The sales offices are listed at the end of this document. For small quantities, the order can be placed either through Siargo website: www.siargo.com or the sales offices. For large quantities, please contact the sales offices or the authorized distributors or sales representatives.

Siargo is making every effort to ensure the quality of the products. In case of questions, and or product supports, please contact customer service listed at the end of the document. We will respond your request in a timely fashion and will work with you toward your complete satisfaction.



Important Notices

Wetted Materials and Compatibility

The sensor body is made of medical compatible plastics (polycarbonate). The sensor chip comprises of silicon, silicon nitride and silicon dioxide and the sensor chip surfaces are passivated with silicon nitride and silicon dioxide. The electronic sealing is provided by 201-A/B-90 epoxy. Other wetted materials may be exposed are 84-3J wire sealant and FR-4 fiber glass.

Cautions for Handling and Installations

The product at the time of shipment is fully inspected for product quality and meets all safety requirements. Additional safety measures during handling and installation should be applied. To prevent ESD (electrostatic discharge) damage and /or degradation, take customary and statutory ESD precautions when handling. Do power the product with the correct polarity, voltage and amperage. All precautions and measures for electrical voltage handling must apply. The product sealing is ensured to work under working pressure of 0.5MPa and is leakage proof before the shipment. But cautions and further leakage test are important at installation as well since any leakage might cause severe safety issue.

This product contains no user serviceable components. Do not attempt to disassemble, substitute parts or perform unauthorized modifications to the product. Doing so will forfeit the terms of the warranty and cause the liability to any damages thereafter. It should only be serviced by authorized personnel. Upon requests, Siargo will provide necessary technical support and/or training of the personnel.

Cautions for Product Applications

The product is designed for use with general purpose gases such as air and nitrogen. It is advised that the products are best used for non-explosive clean gases. The sensors cannot be used for gas metrology of fluoride or fluoride-containing gases. For updates of the product certification information, please contact the manufacturer. Use for other gases such as extreme corrosive and toxic gases may cause the product malfunctioning or even severe damages.

Don't expose the product's outer surface to any liquids, the unit does not have a water tight electronics package.

Don't flow gas in conditions that can cause water condensation or water trap inside the unit as the accuracy could be significantly altered.

It is suggested to design your application so that

nominal flow rate is approximately 70% of the full scale flow rating of the sensor. Don't use a sensor with a flow range beyond the specification continuously. Select the product properly, and do not use high flow sensor for trace flow applications. For instance, don't use a 50 SLPM sensor for a 0.5 SLPM application as the accuracy would not be desired.

Warranty and Liability

(effective May 2009)

Siargo warrants the products sold hereunder, properly used and properly installed under normal circumstances and service as described in the user manual, shall be free from faulty materials or workmanship for 180 days for OEM products, and 365 days for non-OEM products from the date of shipment. This warranty period is inclusive of any statutory warranty. Any repair or replacement serviced product shall bear the same terms in this warranty.

Siargo makes no other warranty, express or implied and assumes no liability for any special or incidental damage or charges, including but not limited to any damages or charges due to installation, dismantling, reinstallation or any other consequential or indirect damages of any kind. To the extent permitted by law, the exclusive remedy of the user or purchaser, and the limit of Siargo's liability for any and all losses, injuries or damages concerning the products including claims based on contract, negligence, tort, strictly liability or otherwise shall be the return of products to Siargo, and upon verification of Siargo to prove to be defective, at its sole option, to refund, repair or replacement of the products. No action, regardless of form, may be brought against Siargo more than 365 days after a cause of action has accrued. The products returned under warranty to Siargo shall be at user or purchaser's risk of loss, and will be returned, if at all, at Siargo's risk of loss. Purchasers or users are deemed to have accepted this limitation of warranty and liability, which contains the complete and exclusive limited warranty of Siargo, and it shall not be amended, modified or its terms waived except by Siargo's sole action.

This warranty is subject to the following exclusions:

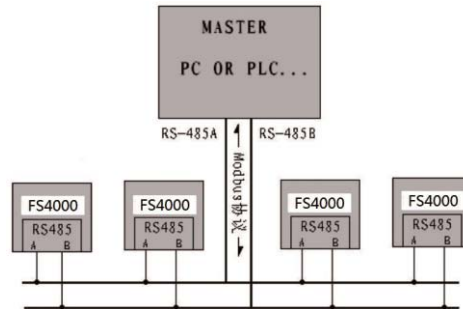
- (1) Products that have been altered, modified or have been subject to unusual physical or electrical circumstances indicated but not limited to those stated in this document or any other actions which cannot be deemed as proper use of the products.
- (2) Siargo does not provide any warranty on finished goods manufactured by others. Only the original manufacturer's warranty applies;
- (3) Products re-sold to the third parties.

Appendix RS232/RS485 Communication Protocol (Mode B)

Hardware connection

FS4000 sensor protocol is based on standard Modbus RTU mode. A master (PC or PLC) can communicate with several slaves (Fs4000), setting parameter or getting data.

The hardware layer is TIA/EIA-485-A. The connection is as below:



Communication parameter

The UART parameter is shown as below table:

Communication parameter	Protocol
	RTU
Baud rate(Bits per second)	38400 bps
Start bits	1
Data bits	8
Stop bits	1
Even/Odd parity	None
Bits period	104.2 μ s
Bytes period	1.1458 ms
Maximum data length	20
Maximum Node	254

Frame

The framing function is accord with The Standard Modbus RTU framing, which is shown as below:

Start_bits	Address	Function code	Data	CRC	Stop_bits
T1-T2-T3-T4	8Bit	8Bit	N 8Bit (20 \geq N \geq 0)	16Bit	T1-T2-T3-T4

Start_bits: 4 periods bit time, to indicate a new frame.

Address: The address, can be set as 1 to 255 except 157 (0x9d), 0 is broadcast address.

Function code: Define the action that FS4000 should takes, or indicate that which code the FS4000 is responding.

Data: Including the address of register, length of data and the data.

CRC : CRC verify code, the low byte is flowed by high byte. For example, the 16bit CRC code is divide as BYTE_H BYTE_L, in the frame, the BYTE_L goes first, then the BYTE_H, at last, is the stop signal.

Stop_bits: 4 periods bit time, to indicate that the current framing is over.

Function code

FS4000 Modbus Function-code is a subclass of Standard Modbus Function-code. By using these function-code, We can set or read the registers of FS4000.

They are shown as below table:

Code	Name	Action
0x03	Read register	Read register (one or more)
0x06	Set single register	Write one single 16bit register
0x10	Set multi registers	Write multi registers

Registers

FS4000 has several registers. We can get the information (such as “address”, “flow rate” and so on) form reading these registers, or we can write into some of the registers for setting parameters of FS4000.

The registers are shown as below table:

Name	Description	Register	Modbus
Address	The address of FS4000 (W/R)	0x0001	40002
Flow Rate	The current flow rate (R)	0x0002~0x0003	40003
Baud Rate	The communication band rate (W/R)	0x0015	40022
GCF	Gas correction factor (W/R)	0x0016	40023
Response time	Response time setting (W/R)	0x0017	40024
Filter depth	Filter depth (W/R)	0x0018	40025
Offset Calibration	Calibrate the offset (W)	0x0027	40040
Write-protect	Write-protect for some parameters setting (W)	0x0014	40021

* R - read only, W - write only, W/R - read and write.

Flow meter Address	0x0001	WRITE	A
		READ	A
Description	The address of flow meter in modbus protocol		
Value type	UINT16		
Detail	Value from 1 to 255 except 157 (0x9d), 0 is broadcast address. The default value is 1.		
Flow Rate	0x0002~0x0003	WRITE	N
		READ	A
Description	The current flow rate		
Value type	UINT16		
Detail	Flowrate = [value(0x0002) *65536 + value(0x0003)] /1000 Example: When the LCD shows 20.34 SLPM, we can get “0” form register 0x0002 and “20340” form register 0x0003. Then, flowrate = (0*65536 + 20340)/1000= 20.340		



Baud Rate	0x0015	WRITE	A
		READ	A
Description	The communication baud rate		
Value type	UINT16		
Detail	0: 4800, 1: 9600, 2: 19200, 3: 38400. The default value is 3. Example: When you get "3" from register 0x0015, the baud rate is 38400.		
<hr/>			
GCF	0x0016	WRITE	A
		READ	A
Description	The gas correction factor		
Value type	UINT16		
Detail	The value is 1000 time of the gas correction factor. The default value is 1000. Note: Need to set write-protect. Example: The GCF of air is 1.0, you can get "1000" from register 0x0016.		
<hr/>			
Response time	0x0017	WRITE	A
		READ	A
Description	Response time.		
Value type	UINT16		
Detail	10, 20, 50, 100, 200, 500 or 1000 ms. The default value is 10. Note: Need to set write-protect. Example: When you get "10" from register 0x0017, the response time is 10 ms.		
<hr/>			
Filter depth	0x0018	WRITE	A
		READ	A
Description	Filter depth		
Value type	UINT16		
Detail	0 and 4~255. The default value is 0. Note: Need to set write-protect. Example: When you get "8" from register 0x0018, the filter depth is 8.		
<hr/>			
Offset Calibration	0x0027	WRITE	A
		READ	N
Description	Calibrate the offset		
Value type	Fixed value 0XAA55		
Detail	Set the fixed value 0XAA55 to register 0x0027. Note: Please ensure there is NO flow in the pipeline.		
<hr/>			
Write-protect	0x0014	WRITE	A
		READ	N
Description	Write-protect for GCF, response time and filter depth. Single effective.		
Value type	Fixed value 0XAA55		
Detail	Example: When you want to set response time, you need to set fixed value 0xAA55 to register 0x0014.		



Contact Information

Headquarters

Siargo Ltd.
3100 De La Cruz Boulevard, Suite 210,
Santa Clara, California 95054, USA
Phone: +1-408-969-0368
Email: info@Siargo.com

Representative in US

Servoflo Corporation
75 Allen Street,
Lexington, MA 02421, USA
Phone: +1-781-862-9572
Email: info@servoflo.com

Representative in Japan

Marubeni Information Systems Co., Ltd.
Device Solutions Department
14th Floor, Shinjuku Garden Tower,
3-8-2, Okubo, Shinjuku-ku, Tokyo 169-0072, Japan
Phone: +81-3-4243-4160
Fax: +81-3-4243-4198
Email: siargo@marubeni-sys.com

Representative in Europe

IDENTIC GmbH
In der Siedlerruh 24
69123 Heidelberg / Germany
Phone: +49-(0)6221-7509777
Fax: +49-(0)6221-7509779
Email: info@identic.de

This document is intended for distribution to interested customer(s) only. Siargo and its subsidiaries reserve the rights to change the specifications and/or descriptions without prior notice.



Appendix: Revision History

Revision B.16 (October 2020):

- ✎ Revised ISO 45001.

Revision B.15 (June 2019):

- ✎ Updated the RS232/RS485 communication protocol (*Appendix RS232/RS485 Communication Protocol*).

Revision B.14 (October 2018):

- ✎ Updated the wetted materials (*Wetted Materials and Compatibility*).

Revision B.13 (October 2017):

- ✎ Added maximum overflow and maximum flow change (*1.2 Additional Specifications*).

Revision B.12 (September 2017):

- ✎ Corrected the pins out (*1.2 Additional Specifications*);
- ✎ Added the revision history (*Appendix*).