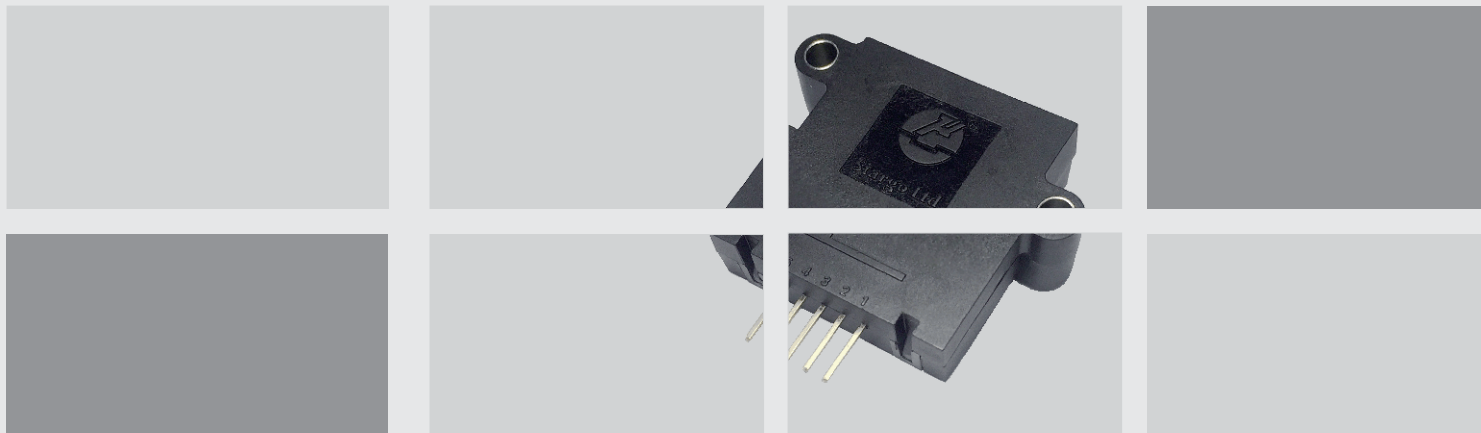




Siargo Ltd.



# Model FS5001L

SIARGO MEMS FLOW SENSING PRODUCTS  
**MEMS Mass Flow Sensors**

VA.7

Sold in North America

By:

Servoflo Corporation

75 Allen Street

Lexington, MA 02421

Tel: 781-862-9572

[www.servoflo.com](http://www.servoflo.com) / [info@servoflo.com](mailto:info@servoflo.com)



Management System  
EN ISO 13485:2016  
[www.tuv.com](http://www.tuv.com)  
ID: 000053108



© 2020 Siargo Ltd.



Siargo Ltd.

# MEMS Mass Flow Sensors

FS5001L Series

## User Manual

Document No. 07-2020-S10 EN

Issue date: 2020.07

Revision: VA.7

### **Siargo Ltd.**

3100 De La Cruz Boulevard,  
Suite 210,  
Santa Clara, CA 95054  
USA

Tel: +1(408)969.0368

Email: [info@siargo.com](mailto:info@siargo.com)

© Copyright 2020 by Siargo Ltd.

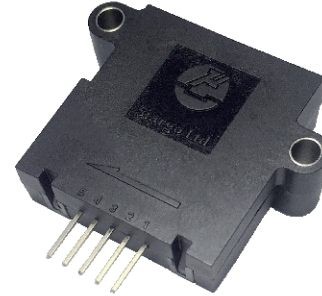
Siargo Ltd. and its subsidiaries reserve the rights to change the specifications and/or descriptions without prior notice. For further information and updates, please visit: [www.Siargo.com](http://www.Siargo.com)

# MEMS Mass Flow Sensors

## Model FS5001L

### Features

- Low mass flow range from 0 ~ 200 sccm up to 0 ~ 6000 sccm
- Response time < 10 ms
- Pressure rating up to 5 bar (73 psi)
- Output: analog or both analog and digital
- Manifold mount of pneumatic connection



### Description

The FS5001L mass flow sensors are manufactured using Siargo's proprietary MEMS flow sensor and package technology. The sensors are specially designed for low flow rate range applications from 0 ~ 200 sccm to 0 ~ 6000 sccm. The maximum flow rate for each model is manufactured via specially designed package as well as smart electronics so that the optimal sensitivity would be achieved.

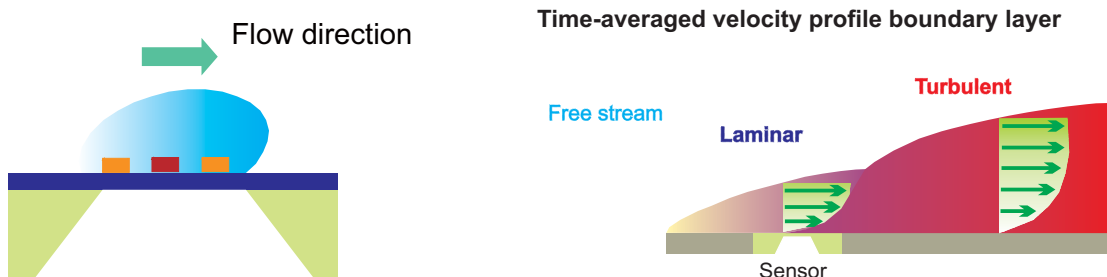
The packaging enclosure is made of the chemically inert and thermally stable polybutylene terephthalate (PBT) material. The maximum over pressure rating can reach up to 5 bar (73 psi) that is benefitted from Siargo's unique MEMS sensor chip structure, special packaging technology and the rugged sensor housing.

The FS5001L can be used in a wide range of applications including mass flow metering for process control, gas flow metrology, heating ventilation and air conditioning solutions as well as medical applications. The FS5001L requires a power supply of 8~24 Vdc and provides an analog output or both analog and digital outputs. The analog output is linearized from 0.5 to 4.5 Vdc corresponding with flow rate from 0 to full scale. The digital output is I<sup>2</sup>C. The I<sup>2</sup>C protocol can be obtained from the manufacturer.

The calibration is generally performed with air at 20 °C and 101.325 kPa pressure rating. It can nonetheless be calibrated with other gases and conditions upon requests.

### Working Principle

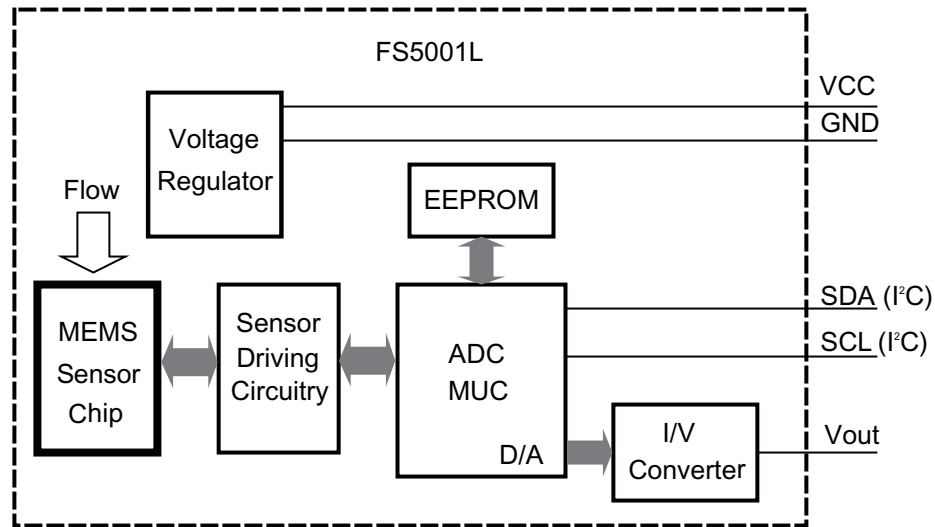
The MEMS sensor chip utilizes the calorimetric principle. It is packaged on a plate installed inside the flow channel, which provides additional flow conditioning from the boundary layer configuration resulting in a laminar flow. The mass flow measurement is established as the gas carries heat away from the heater leading to the redistribution of the temperature field. Accurate flow rate is obtained by calibration with standard gas at preset conditions.



## Block Diagram

The functional block diagram is shown in the following figure. The MEMS sensor chip is powered by the sensor driving circuitry and sends flow rate related voltage to ADC. The micro-controller processes

(amplifying, filtering, etc) the voltage then converts into flow rate. The flow rate signal is sent out through analog or both analog and digital formats (I<sup>2</sup>C).



Functional block diagram of the FS5001L.



## 1. Sensor Performance

### 1.1 Performance Specifications

All data unless otherwise noted apply for calibration conditions: N<sub>2</sub>, 20°C, 101.325kPa absolute pressure, horizontal mounting.

Model	FS5001L		
Flow Range	0 ~ 200, 500, 1000	0 ~ 4000, 6000	sccm
Turn-down Ratio	100:1		
Accuracy <sup>1</sup>	±(2.0 ± 0.5FS)		%
Repeatability	± 0.5		%Reading
Null Shift	± 30		mV
Output Shift	± 0.12		%/°C
Response Time <sup>2</sup>	5		ms
Output	Linear: I <sup>2</sup> C, Analog 0.5 ~ 4.5 Vdc		
Pressure Drop <sup>3</sup>	< 150	< 3500	Pa
Working Pressure	-0.08 ~ +0.5		MPa
Power Supply <sup>4</sup>	8 ~ 24 Vdc, 50 mA		
Operating Current	20 mA		mA
Power Consumption	<220		mW
Analog Output Load	Sourcing: 25		mA
	Sinking: 15		
Working Temperature	-10 ~ +55		°C

1 Denotes ±(2.0 %Reading + 0.5 %Full Scale). To obtain accurate flow measurement, let the sensor warm up 1 minute at power up.

2 The response time is determined by ADC sampling rate and data process algorithm. The default response time is 10 ms. It can be programmed via I<sup>2</sup>C communication.

3 The maximum pressure drop is measured at flow rate 1000 and 6000 sccm. For lower range flow sensors, the pressure drop will be smaller. See section 1.4 for details.

4 One DC power supply is necessary. The required minimum output current is 50 mA. The sensor actually consumes less than that in operation.

### 1.2 Additional Specifications

Pins Out	5 Pin, 2.54 mm centers, 0.635 mm square		
Calibration Options	Air @ 20 °C, 101.325 kPa		
Packaging material	Polybutylene terephthalate (PBT)		
Dimensions	40.6 x 36.3 x 15.7		mm <sup>3</sup>
Weight	15		g
Storage Temperature	-20 ~ +65		°C
Humidity	<95 %RH (No icing or condensation)		
Maximum Overflow	3	18	SLPM
Maximum Flow Change	500	3000	sccm/sec



**1.3 Flow Characteristics**

**1.3.1 Analog Output Characteristics**

The FS5001L provides an analog output of 0.5 ~ 4.5 Vdc corresponding with 0 ~ full scale flow rate. Using 500 sccm as an example, the typical analog output v.s. flow rate is illustrated in Table 1.1 and Figure 1.1.

Table 1.1: Typical output voltage v.s. flow rate.

Flow Rate (sccm)	Typical Voltage (Vdc)
0	0.5
100	1.3
200	2.1
300	2.9
400	3.7
500	4.5
550	4.9
600	4.9

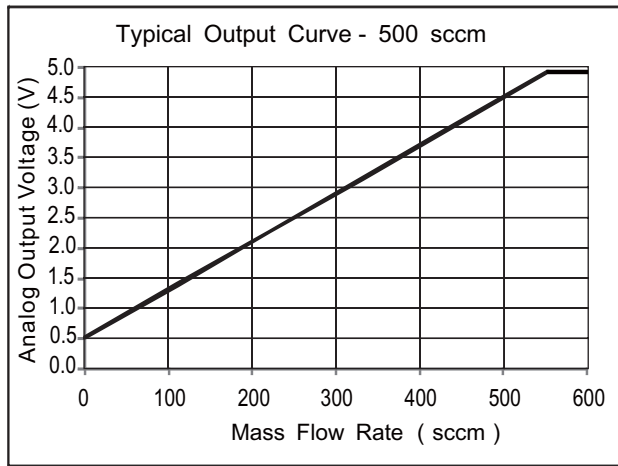


Figure 1.1: A typical analog output curve.

The sensor is calibrated 10% above the full scale flow rate to ensure the accuracy within the defined range during interpolation. For example, full scale of 500 sccm is calibrated till 550 sccm. Hence at flow rate beyond the full scale, there is still analog output but the accuracy is not guaranteed.

**1.3.2 Digital Output Characteristics**

The digital output is delivered through I<sup>2</sup>C. Same as analog output, when flow rate is beyond the defined full scale, the output accuracy is not guaranteed.

**1.4 Pressure Drop Characteristics**

The pressure drop of FS5001L is dependent on the flow rate applied. The pressure drops are illustrated in Table 1.2, Figure 1.2 and Figure 1.3.

Table 1.2: Pressure drop v.s. flow rate.

200, 500, 1000 sccm		4000, 6000 sccm	
Flow rate (sccm)	Pressure drop (Pa)	Flow rate (sccm)	Pressure drop (Pa)
0	0	0	0
200	20	1000	200
400	40	2000	600
600	70	3000	1150
800	105	4000	1750
1000	150	5000	2550
		6000	3500

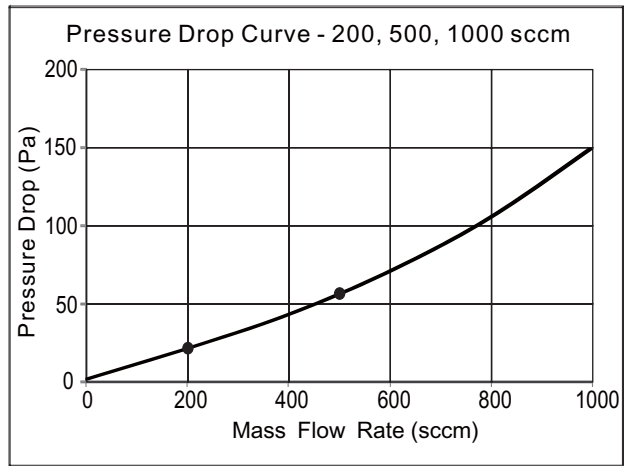


Figure 1.2: Pressure drop v.s. flow rate for sensors with full scale of 200, 500 and 1000 sccm.

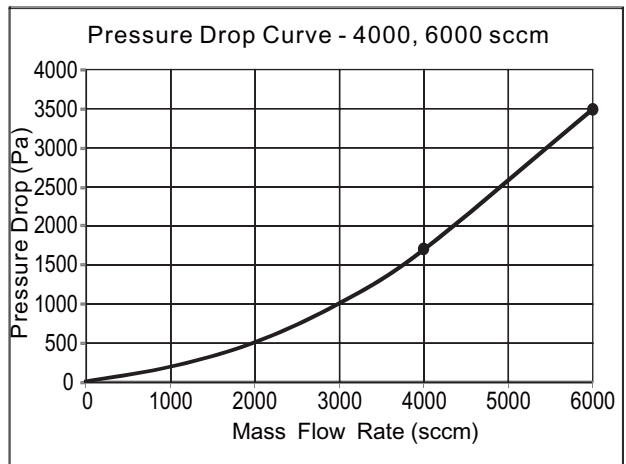


Figure 1.3: Pressure drop v.s. flow rate for sensors with full scale of 4000 and 6000 sccm.

## 2. Pins and Interface

### 2.1 Pin Definition

The FS5001L provides 5 pin interface. The pin layout and definition are as Figure 2.1 and Table 2.1.

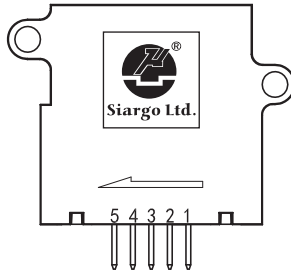


Figure 2.1: FS5001L pin configuration.

Table 2.1: FS5001L pin definition.

Pin Num.	Definition
1	SDA (I <sup>2</sup> C)
2	Vout, Analog output
3	VCC, Power supply
4	GND, Ground
5	SCL (I <sup>2</sup> C)

### 2.2 Pin Description

**VCC and GND:** The FS5001L requires a power supply of 8 ~ 24 Vdc. The voltage is internally regulated to power the circuitry. Therefore, there is no stringent requirements on the accuracy, stability as well as ripple of the external supply.

**Vout:** The analog output pin provides 0.5 ~ 4.5 Vdc corresponding with the specified flow range 0 ~ full scale. Beyond this range, there is still voltage reading, but the accuracy is not guaranteed.

**SDA and SCL:** For I<sup>2</sup>C, please contact Siargo for protocol.

## 3. Mechanical Dimensions and Mountings

### 3.1 Sensor Mechanical Dimensions

The FS5001L has a dimension of 40.6 x 36.3 x 15.7 mm<sup>3</sup>. The dimension is illustrated in Figure 3.1.

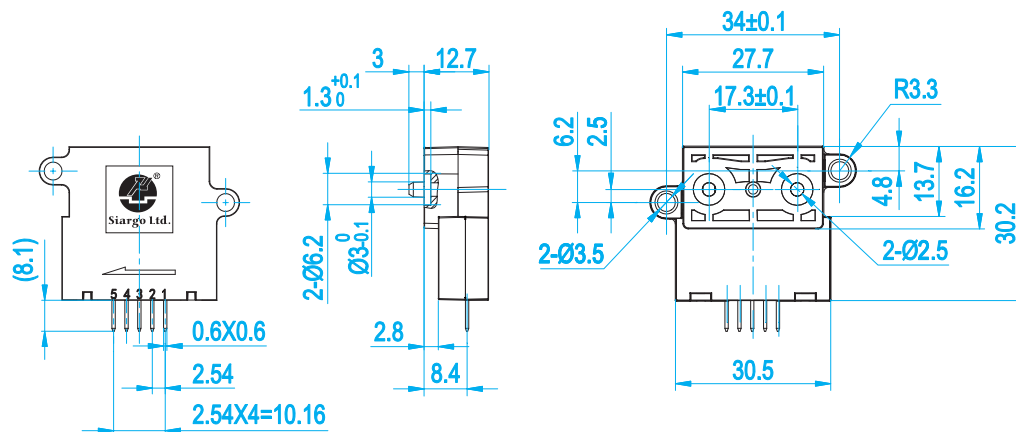


Figure 3.1: Mechanical dimensions of the FS5001L.

## 3.2 Mountings

There is a stainless steel mounting plate, 2 screws (M3x20), 2 O-rings (2.5x1.8) together with the sensor. The mounting torque should be  $0.35 \pm 0.03 \text{ N}\cdot\text{m}$ .

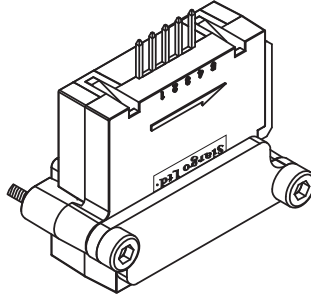
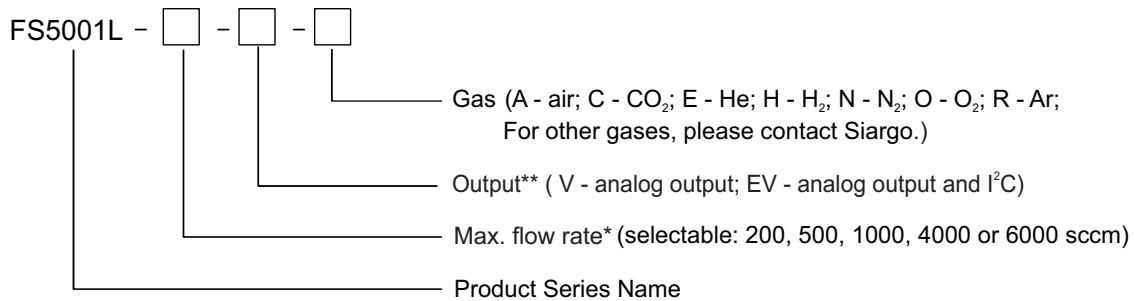


Figure 3.2: FS5001L with mounting plate.

## 4. Ordering Guide

### 4.1 Sensor Selection

The sensor part number is composed of the model number and suffix indicating the full scale flow rate, output format as well as the calibration gas. Refer to the followings for details.



\* Max. flow rate number only, for example, 500 means max. flow rate of 500 sccm;

For CO<sub>2</sub>, selectable: 200, 500, 750 sccm (without 1000sccm) or 4000 sccm ( without 6000 sccm);

\*\* The sensor standard output is analog, while digital output is optional.

### 4.3 Order Contact and Customer Support

The sales offices are listed at the end of this document. For small quantities, the order can be placed either through Siargo website: [www.siargo.com](http://www.siargo.com) or the sales office. For large quantities, please contact the sales office or distributors or sales representatives.

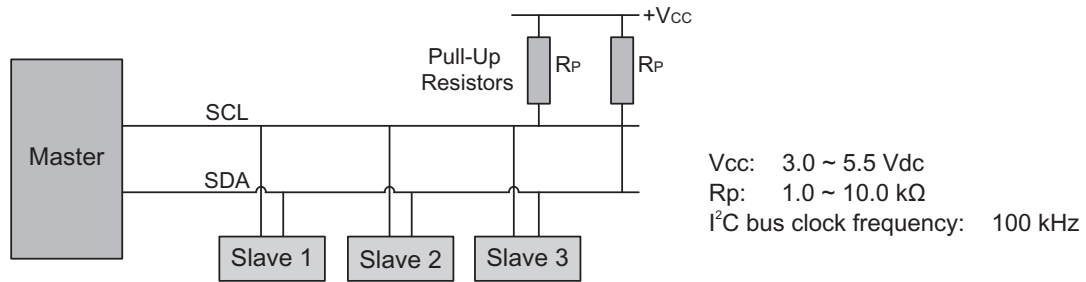
Siargo is making every effort to ensure the quality of the products. In case of questions and/or product supports, please contact customer service listed at the end of the document. We will respond your request in a timely fashion and will work with you toward your complete satisfaction.



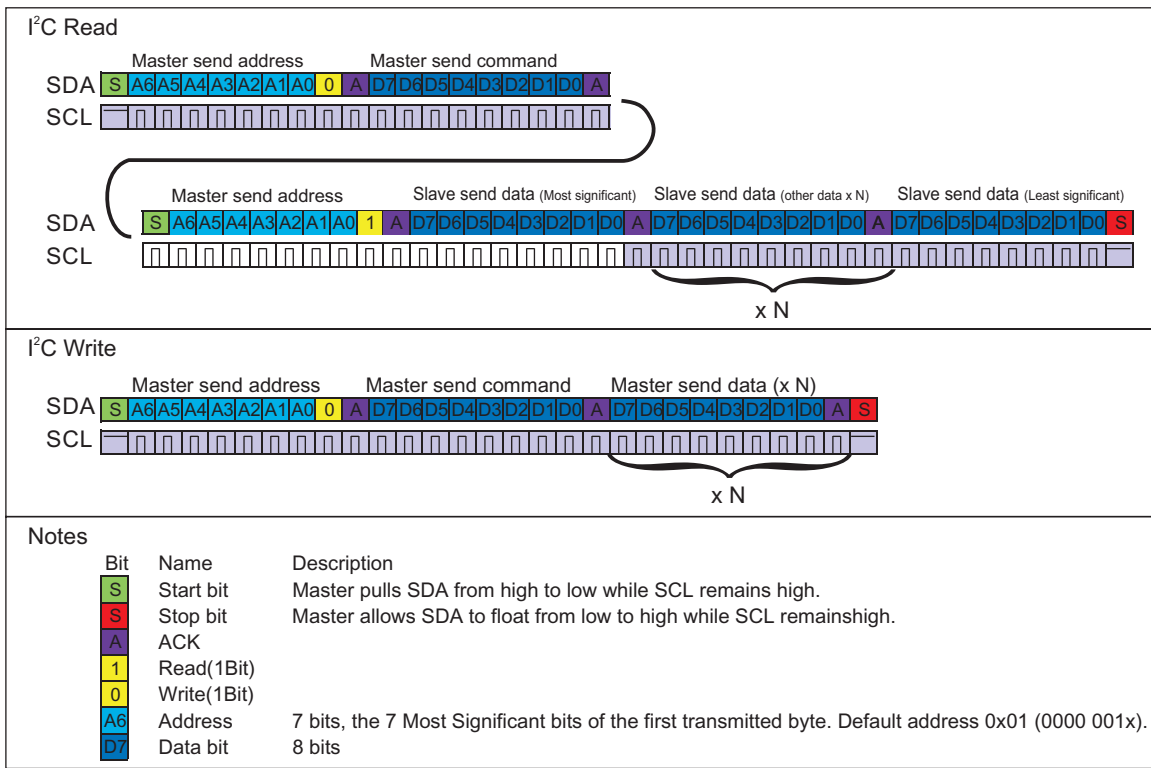


## 5. I<sup>2</sup>C Communication

### 5.1 I<sup>2</sup>C Connection



### 5.2 I<sup>2</sup>C Read and Write Sequences



### 5.3 I<sup>2</sup>C Commands description

Command Byte (Hex)	Length	Command Name	Read / Write	Notes
05H	1	Write the I <sup>2</sup> C address	W	Bit7 ~ Bit1 can be set <sup>1</sup>
0AH	1	Set the gas correction factor (GCF)	W	Int16, default value is 1000
0BH	1	Write the filter depth	W	Int8, 0~254
1CH	1	Calibration the offset	W	1 byte, ensure <b>NO</b> flow in the pipe
82H	12	Read the sensor SN	R	ASCII
83H	4	Read flow rate	R	Int32/1000 sccm
85H	1	Read the I <sup>2</sup> C address	R	Bit7 ~ Bit1
8AH	1	Read the gas correction factor (GCF)	R	Int16, default value is 1000
8BH	1	Read the filter depth	R	Int8, 0~254

1, The address is set with Bit7~Bit1, For instance, sensor I<sup>2</sup>C address 1 (0000 001x), write address will be 0x02 (0000 0010) , while read address will be 0x03 (0000 0011).



## Important Notices

### Wetted Materials and Compatibility

The sensor body is made of medical compatible plastics (PBT). The sensor chip comprises of silicon, silicon nitride and silicon dioxide and the sensor chip surfaces are passivated with silicon nitride and silicon dioxide. The electronic sealing is provided by 3M™ Scotch-Weld™ Structural Plastic Adhesive DP8005. Other wetted materials may be exposed are pyrex glass, alumina ceramics, epoxy, gold, aluminum, nickel, FR-4, Pb-free solder.

### Cautions for Handling and Installations

The product at the time of shipment is fully inspected for product quality and meets all safety requirements. Additional safety measures during handling and installation should be applied. To prevent ESD (electrostatic discharge) damage and /or degradation, take customary and statutory ESD precautions when handling. Do power the product with the correct polarity, voltage and amperage. All precautions and measures for electrical voltage handling must apply. The product sealing is ensured to work under working pressure of 0.5MPa and is leakage proof before the shipment. But cautions and further leakage test are important at installation as well since any leakage may cause severe safety issues.

This product contains no user serviceable components. Do not attempt to disassemble, substitute parts or perform unauthorized modifications to the product. Doing so will forfeit the terms of the warranty and cause the liability to any damages thereafter. The product should only be serviced by authorized personnel. Upon requests, Siargo will provide necessary technical support and/or training of the personnel.

### Cautions for Product Applications

The product is designed for use with general purpose gases such as air and nitrogen. It is advised that the products are best used for non-explosive clean gases. The sensors cannot be used for gas metrology of fluoride or fluoride-containing gases. For updates of the product certification information, please contact the manufacturer. Use for other gases such as extreme corrosive and toxic gases may cause the product malfunctioning or even severe damages.

Don't expose the product's outer surface to any liquids, the unit does not have a water tight electronics package.

Don't flow gas in conditions that can cause condensing water vapor to be trapped inside the unit as the accuracy could be significantly altered.

It is suggested to design your application so that nominal flow rate is approximately 70% of the full scale flow rate of the sensor. Don't use a sensor with an extreme flow rate, for instance, don't use a 1000sccm sensor for a 10 sccm application.

### Warranty and Liability

(effective March 2009)

Siargo warrants the products sold hereunder, properly used and properly installed under normal circumstances and service as described in the user manual, shall be free from faulty materials or workmanship for 180 days for OEM products, and 365 days for non-OEM products from the date of shipment. This warranty period is inclusive of any statutory warranty. Any repair or replacement serviced product shall bear the same terms in this warranty.

Siargo makes no other warranty, express or implied and assumes no liability for any special or incidental damage or charges, including but not limited to any damages or charges due to installation, dismantling, reinstallation or any other consequential or indirect damages of any kind. To the extent permitted by law, the exclusive remedy of the user or purchaser, and the limit of Siargo's liability for any and all losses, injuries or damages concerning the products including claims based on contract, negligence, tort, strictly liability or otherwise shall be the return of products to Siargo, and upon verification of Siargo to prove to be defective, at its sole option, to refund, repair or replacement of the products. No action, regardless of form, may be brought against Siargo more than 365 days after a cause of action has accrued. The products returned under warranty to Siargo shall be at user or purchaser's risk of loss, and will be returned, if at all, at Siargo's risk of loss. Purchasers or users are deemed to have accepted this limitation of warranty and liability, which contains the complete and exclusive limited warranty of Siargo, and it shall not be amended, modified or its terms waived except by Siargo's sole action. This warranty is subject to the following exclusions:

- (1) Products that have been altered, modified or have been subject to unusual physical or electrical circumstances indicated but not limited to those stated in this document or any other actions which cannot be deemed as proper use of the products;
- (2) Siargo does not provide any warranty on finished goods manufactured by others. Only the original manufacturer's warranty applies;
- (3) Products re-sold to the third parties.



## Contact Information

### Headquarters

Siargo Ltd.  
3100 De La Cruz Boulevard, Suite 210,  
Santa Clara, California 95054, USA  
Phone: +1-408-969-0368  
Email: info@Siargo.com

### Representative in US

Servoflo Corporation  
75 Allen Street,  
Lexington, MA 02421, USA  
Phone: +1-781-862-9572  
Email: info@servoflo.com

### Representative in Japan

Marubeni Information Systems Co., Ltd.  
Device Solutions Department  
14th Floor, Shinjuku Garden Tower,  
3-8-2, Okubo, Shinjuku-ku, Tokyo 169-0072, Japan  
Phone: +81-3-4243-4160  
Fax: +81-3-4243-4198  
Email: siargo@marubeni-sys.com

### Representative in Europe

IDENTIC GmbH  
In der Siedlerruh 24  
69123 Heidelberg / Germany  
Phone: +49-(0)6221-7509777  
Fax: +49-(0)6221-7509779  
Email: info@identic.de

This document is intended for distribution to customer(s) only. Siargo and its subsidiaries reserve the rights to change the specifications and/or descriptions without prior notice.



## Appendix: Revision History

### Revision A.7 (October 2020):

- ✎ Revised ISO 45001.

### Revision A.6 (June 2018):

- ✎ Revised the I<sup>2</sup>C commands (*5.3 I<sup>2</sup>C Commands description*).

### Revision A.5 (December 2018):

- ✎ Revised the pressure drop (*1.1 Performance Specifications* and *1.4 Pressure Drop Characteristics*);
- ✎ Revised the I<sup>2</sup>C commands description (*5.3 I<sup>2</sup>C Commands description*).

### Revision A.4 (June 2018):

- ✎ Corrected the features (*Features*).

### Revision A.3 (April 2018):

- ✎ Added the mountings information (*3.2 Mountings*).

### Revision A.2 (March 2018):

- ✎ Updated the photo (*Cover, page 1* and *2.1 Pin Definition*);
- ✎ Revised the packaging material to PBT (*Description, 1.2 Additional Specifications* and *Wetted Materials and Compatibility*);
- ✎ Corrected the mechanical dimensions to 40.6 x 36.3 x 15.7 mm<sup>3</sup> (*1.2 Additional Specifications* and *3. Mechanical Dimensions and Mountings*);
- ✎ Revised the I<sup>2</sup>C commands description (*5.3 I<sup>2</sup>C Commands description*);
- ✎ Revised the wetted materials (*Wetted Materials and Compatibility*).

### Revision A.1 (December 2017):

- ✎ Added the I<sup>2</sup>C commands of response time (*5.3 I<sup>2</sup>C commands description*).

### Revision A.0 (September 2017):

- ✎ First released.