



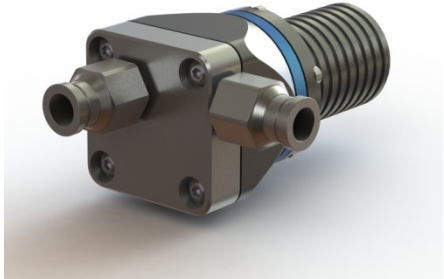
R404BL **Conical Revolution Pump**

TCS MICROPUMPS: R400BL

(Patents Pending, Quality Assured ISO 9001, RoHS compliant, IP23 protection rating)
Patent Application Number 1410814.6

INTRODUCTION

The R404BL Conical Revolution Pump is a high-quality miniature pump for gases and liquids. It is highly efficient, small and lightweight. The solid construction and wide temperature tolerance, enable it to perform reliably even in hostile environments. It is self priming, valve less, seal less and the direction of flow can be reversed.



ELECTRICAL CONNECTION

The R404BL Conical Revolution Micropump is driven by sensorless brushless motor technology and will require an electronic driver circuit in order to be used (supplied separately). This can be designed into your own control electronics or you can choose the TCS EQi.

3 wire DC Sensorless Brushless Motor
Supply Voltage: 6-24VC



Materials

Housing

Internal components

Connectors

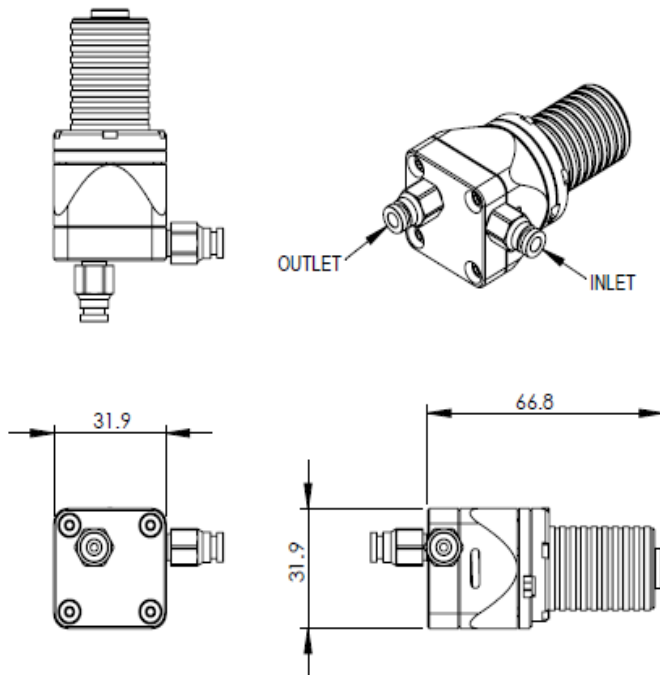
6000 series aluminium

Viton and Stainless Steel

Stainless Steel

DIMENSIONS AND FLUID CONNECTION **(Standard flow direction shown)**

Stainless steel connectors to suit 6mm OD Tubing.
Connectors removable exposing M5 thread.



CAUTION !

Do not exceed the maximum operating pressure of 3.0 Bar
Do not exceed the maximum operating current draw of 2 Amps.

Exceeding these limits may cause damage to the micropump.