

TCS 'R' (Conical Revolution) Pump

Overview : Liquid and Gas Pump - Efficient, Reversible, Self Priming

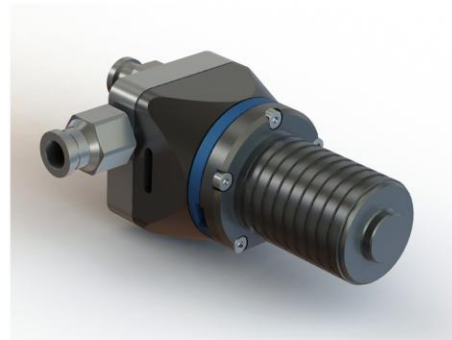
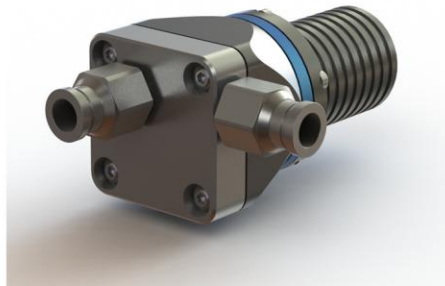
The R404 pump range utilises a new and patented pumping methodology developed by TCS Micropumps. 'R' pumps provide excellent pressure and flow capability for both liquids and gases, are self priming in operation, reversible and contain no internal valves.

The 'R' pump is powered by a TCS developed brushless drive unit which is small, powerful, efficient and reliable. The body is constructed from CNC machined aluminium alloy (6000 series + anodising) with wetted components manufactured from stainless steel 316 and Viton elastomers.

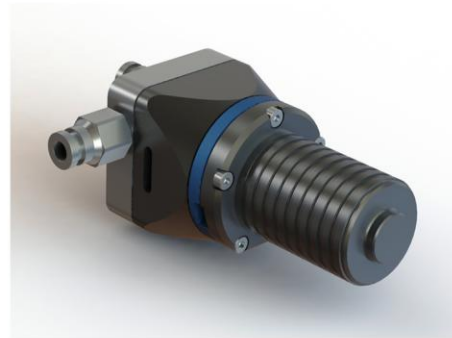
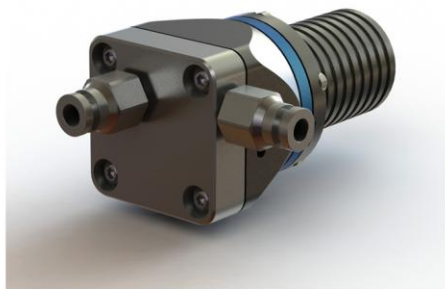
Manufactured with 2 M5 ports and supplied as standard with 1 of two different tubing connectors

Pump

R404 6mm OD
Tube Connector



R404 4mm OD
Tube Connector



Features

- Quiet
- Small size
- Self Priming
- Robust
- Dry Running
- Precise Flow Control
- Valveless
- Reversible

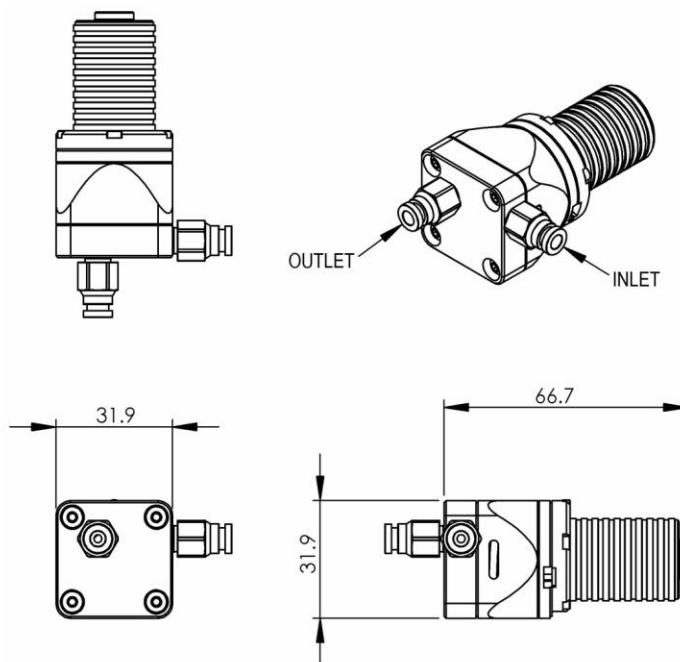
Materials

Wetted Parts

- 316 Stainless Steel
- Viton

Other Parts

- 316 Stainless Steel
- Anodised 6000 Series Aluminium
- Materials typical to a Brushless Motor



Performance Data

- Dimensions 32 x 32 x 67mm
- Weight 185g
- Operating Temp 0 to 100 deg C
- IP Rating IP41
- Noise Levels <20dB
Measured at a distance of 1m with a 50dB ambient noise level

Liquid

MODEL	Input	Max Power	Max Flow	Max Pressure
	(v)	(W)	(mLpm)	(Bar)
R404	12-30	30	300	3.0

