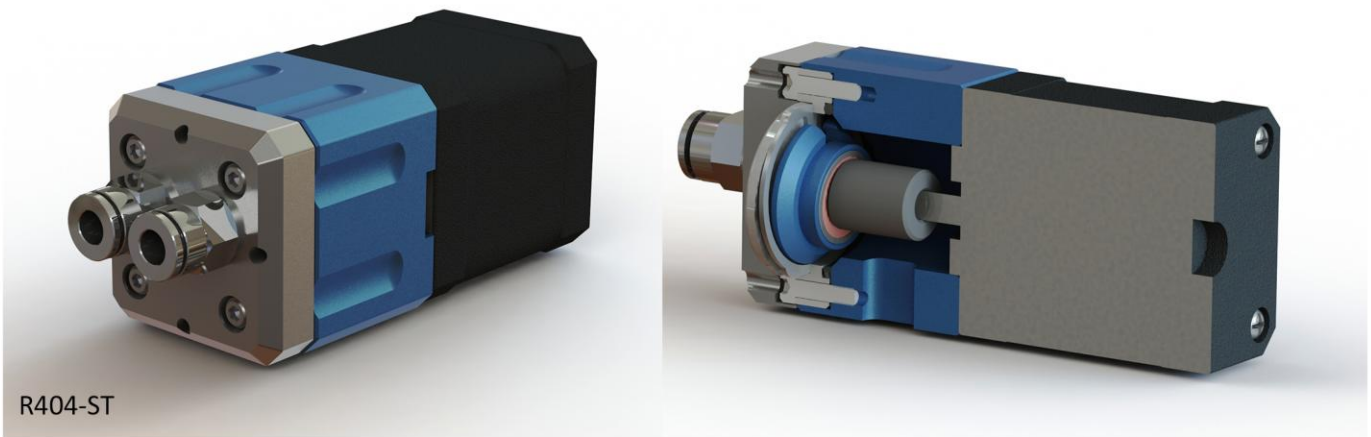


## Micro Conical Revolution Liquid and Gas Pump

### Overview : Liquid Pump - Efficient, Reversible, Self Priming

The R404-STEPPER combines the proven TCS Micropumps 'Conical Revolution' pumping technology with a Nema17 high torque 'Hybrid' stepper motor which is controlled via a specially programmed TCS Zikodrive motor controller. This provides all the benefits of the R pump technology but with the precise speed control and dosing capabilities that stepper motor technology can provide.

### Pump



### Typical Applications

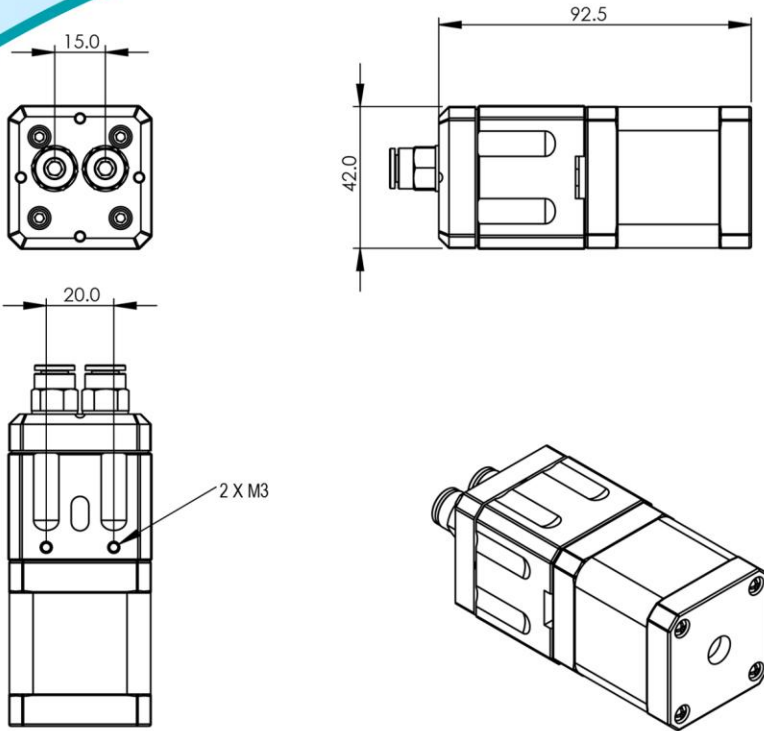
- Medical devices
- Analysis Systems
- Gas detection and monitoring
- Chemical Handling
- Cooling Systems
- Precision Flow
- SCR
- Dosing

### Features

- Acts as a valve (controllable - open or closed)
- Freeze Resistant
- Self Priming
- Robust
- Dry Running
- Precise Flow Control
- Valveless
- Reversible

Sold in North America by:  
Servoflo Corporation  
75 Allen Street Lexington, MA 02421  
Tel: 781-862-9572

[www.servoflo.com](http://www.servoflo.com) / [info@servoflo.com](mailto:info@servoflo.com)



## Materials

### Wetted Parts

- 316 Stainless Steel
- FKM Standard  
(options available for most applications)

### Other Parts

- 316 Stainless Steel
- Anodised 6000 Series Aluminium
- Materials typical to a Stepper Motor

## Performance Data

- Dimensions 42 x 42 x 92mm
- Weight 640g
- Operating Temp -40 to 100 deg C  
0 - 100 deg C with standard elastomer  
-40 deg C available with alternate material
- IP Rating IP41
- Noise Levels <20dB  
Measured at a distance of 1m with a 50dB ambient noise level
- Flow 0.07ml per rev

