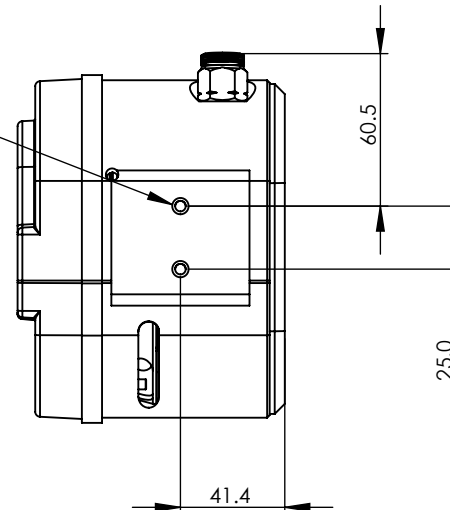


2 X M5
DEPTH 10.0



TCS MICROPUMPS LTD - HIGHFIELD, FAVERSHAM ROAD,
OSPRINGE, KENT. ME13 OSF TEL (0)1795 539655

NOTES

DIMENSIONS NOT SHOWN CAN BE TAKEN FROM THE CAD MODEL. TOLERANCE +/- 0.05

MATERIAL SEE COMPONENT LEVEL

COATING N/A

FINISH NATURAL, UNMARKED

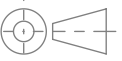
COLOUR SEE COMPONENT LEVEL

STANDARD TOLERANCES APPLICABLE TO ALL DIMENSIONS ON THIS DRAWING UNLESS OTHERWISE STATED

WHOLE NUMBERS +/- 0.5
DECIMAL 1.0 +/- 0.1
DECIMAL 1.00 +/- 0.05

CRITICAL DIMENSIONS ARE SHOWN CIRCLED

THIS DRAWING IS THE PROPERTY OF TCS MICROPUMPS LTD. IT IS A CONFIDENTIAL DOCUMENT AND MUST NOT BE COPIED, USED OR ITS CONTENTS DIVULGED WITHOUT PRIOR WRITTEN CONSENT



3RD ANGLE

A3 DIMENSIONS IN MM

SCALE 1:3

DRAWN BY JF

DATE 18/02/2019

CHECKED BY

DATE

TITLE High Performance Vane Pump

DRG NO V4000-TCS

SHEET NO 2 OF 2

REV 2