

Brushless Micropump Range

Overview : Self Priming, Sensorless Brushless Motor Technology

The TCS V4000 Micropump is a high-quality vane pump for liquids. It is highly efficient, small and lightweight and is a self priming pump by design.

Pump Variants

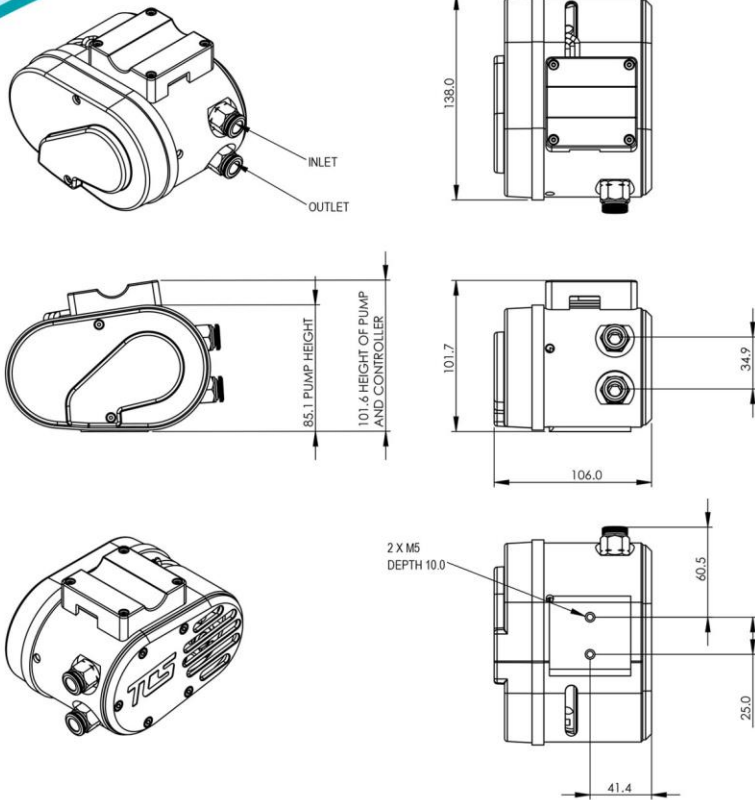


Typical Applications

- Medical devices
- Fuel Cells
- High Pressure Fuel Pump
- Cooling Systems
- Precision Flow
- Lubrication systems

Features

- High pressure capability
- High and low viscosity liquids
- Smooth almost pulseless flow
- CNC aluminium alloy construction
- Small size and lightweight



Materials

- Anodised 6000 Series Aluminum
- 316 Stainless Steel
- Viton
- Polyacetal
- Materials typical to a Brushless Motor

Performance Data

- Size 138 x 106 x 101mm
- Weight 2000g
- Operating Temp -20 to 100 deg c
- Smooth Pulseless Flow
- Noise Levels 100dB
Measured at a distance of 1m with a 50dB ambient noise level
- MTBF Stock Pumps 1000hrs

